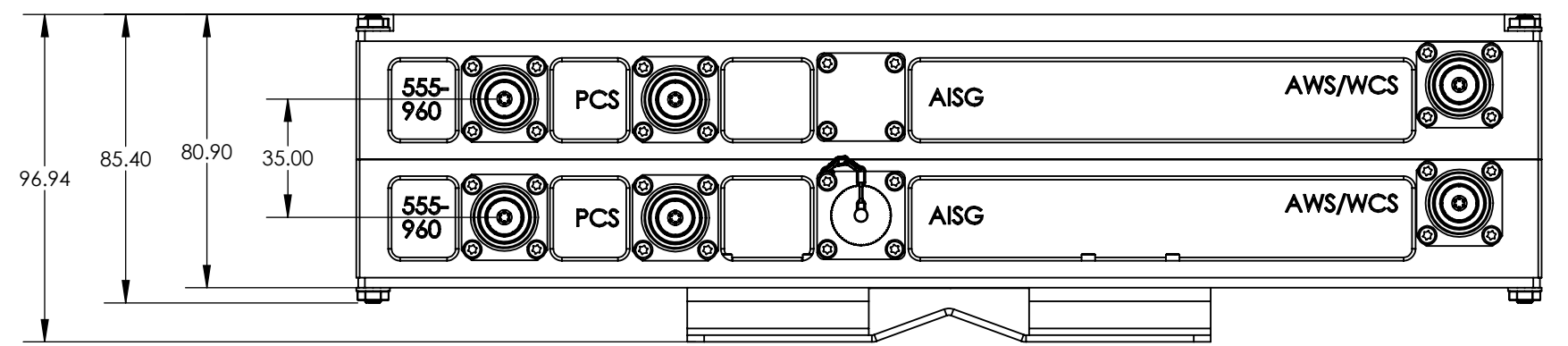
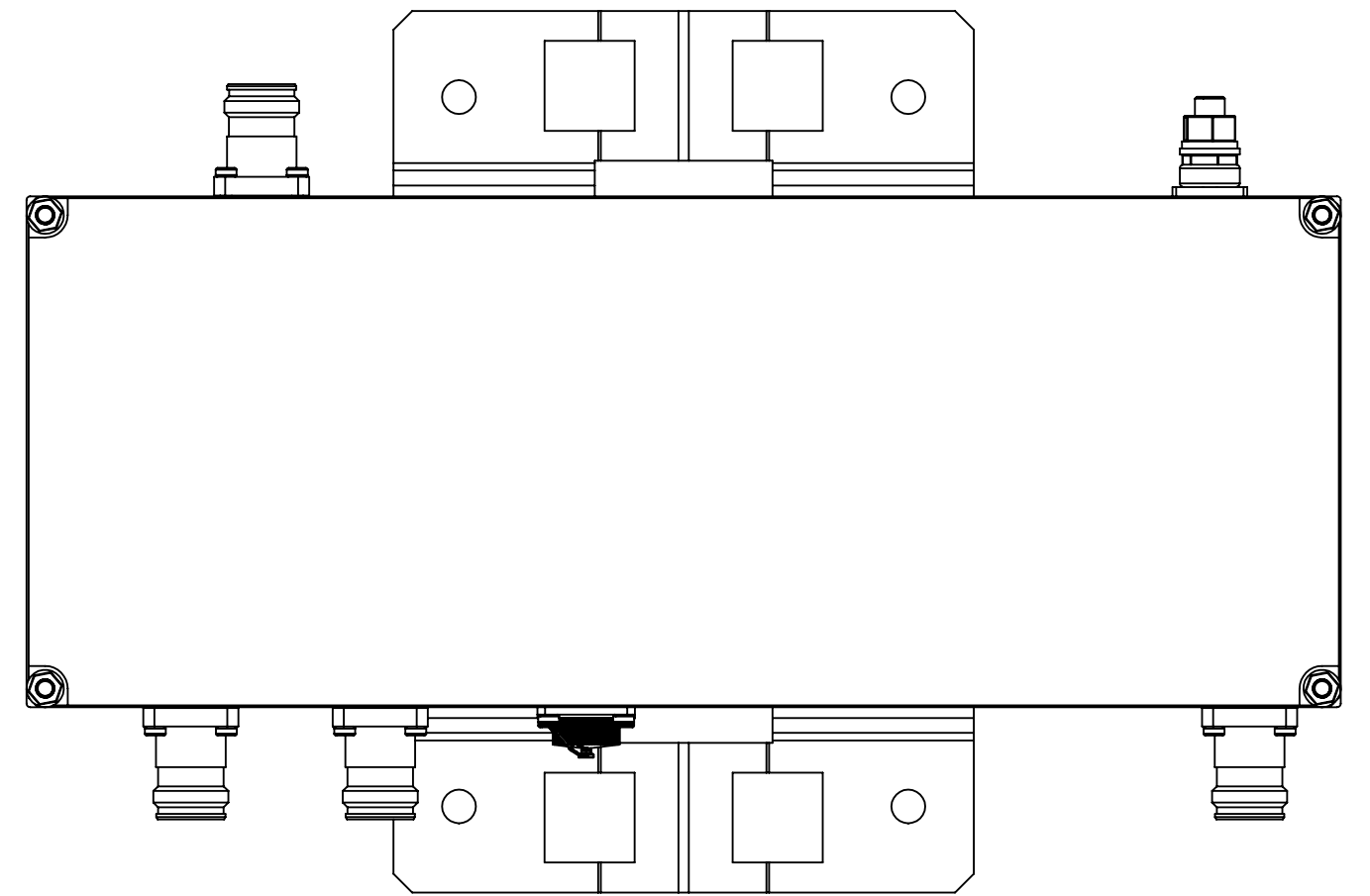
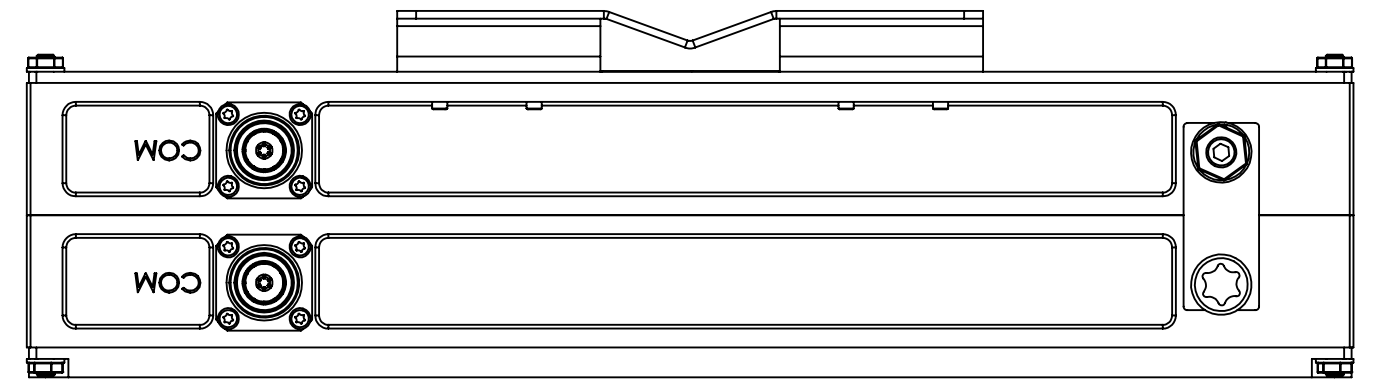


100-0347-12X



100-0347-22X

ALL COMPONENTS AND PROCESSES TO BE RoHS 6/6 COMPLIANT.
 MATERIAL: UNLESS OTHERWISE SPECIFIED:
 DIMENSIONS ARE IN mm
 TOLERANCES:
 0 PLACE ± 2.5
 1 PLACE ± 0.4
 2 PLACE ± 0.10
 ANGULAR ± 0.5°
 SURFACE FINISH: 1.5µm
 FINISH:
 PROPRIETARY AND CONFIDENTIAL
 THE INFORMATION CONTAINED IN THIS DRAWING IS THE SOLE PROPERTY OF COMMUNICATION COMPONENT FILTERS, INC. ANY REPRODUCTION IN PART OR AS A WHOLE WITHOUT THE WRITTEN PERMISSION OF COMMUNICATION COMPONENT FILTERS, INC. IS PROHIBITED.

	NAME	DATE
DRAWN	J.PETERS	06-03-2019
MECH. ENG.	J.PETERS	06-03-2019
ELEC. ENG.	B.TURCOTTE	06-03-2019

THIRD ANGLE PROJECTION
 PROJECT NO: 263

COMMUNICATION COMPONENT FILTERS, INC.
 145 BATCHELDER RD.
 SEABROOK, NH 03874

TITLE:
 TOP LEVEL ASSY, OUTDOOR TRIPLEXER

SIZE C	DWG. NO. 100-0347	REV A
SCALE: 1:2		SHEET 2 OF 5