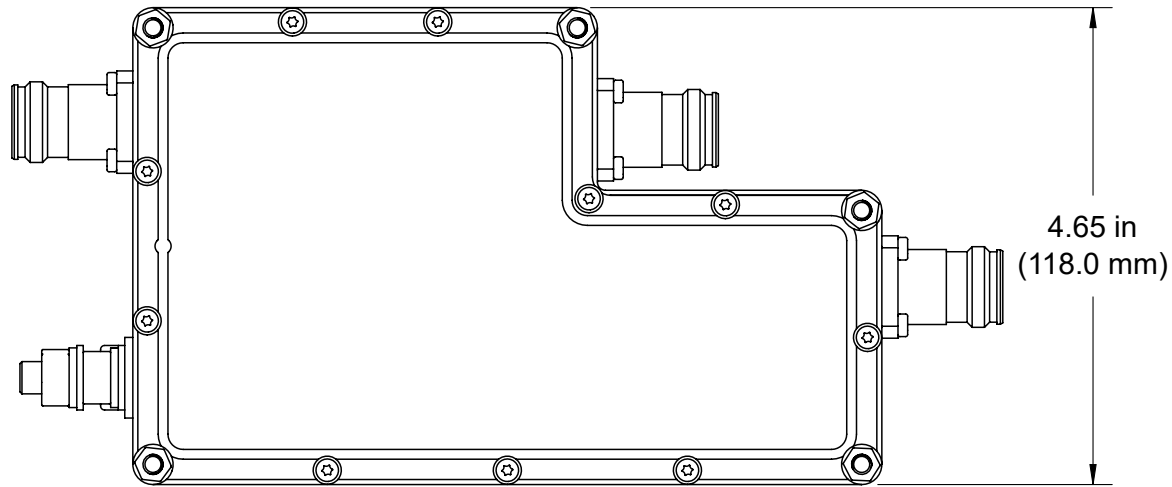


# DPO-1973L-0-Q2 Dimensional Drawing



$$x = 1.06 \text{ in} \\ (26.95 \text{ mm})$$

