

The installation, maintenance, or removal of an antenna requires qualified, experienced personnel. You must refer to the appropriate local safety codes and ensure proper electrical and electromagnetic compatibility before proceeding with the installation. All local codes shall take precedence over information in this document. Antenna systems should be inspected once a year by qualified personnel to verify proper installation, maintenance, and condition of equipment. Communication Components Antennas Inc. disclaims any liability or responsibility for the results of improper or unsafe installation.

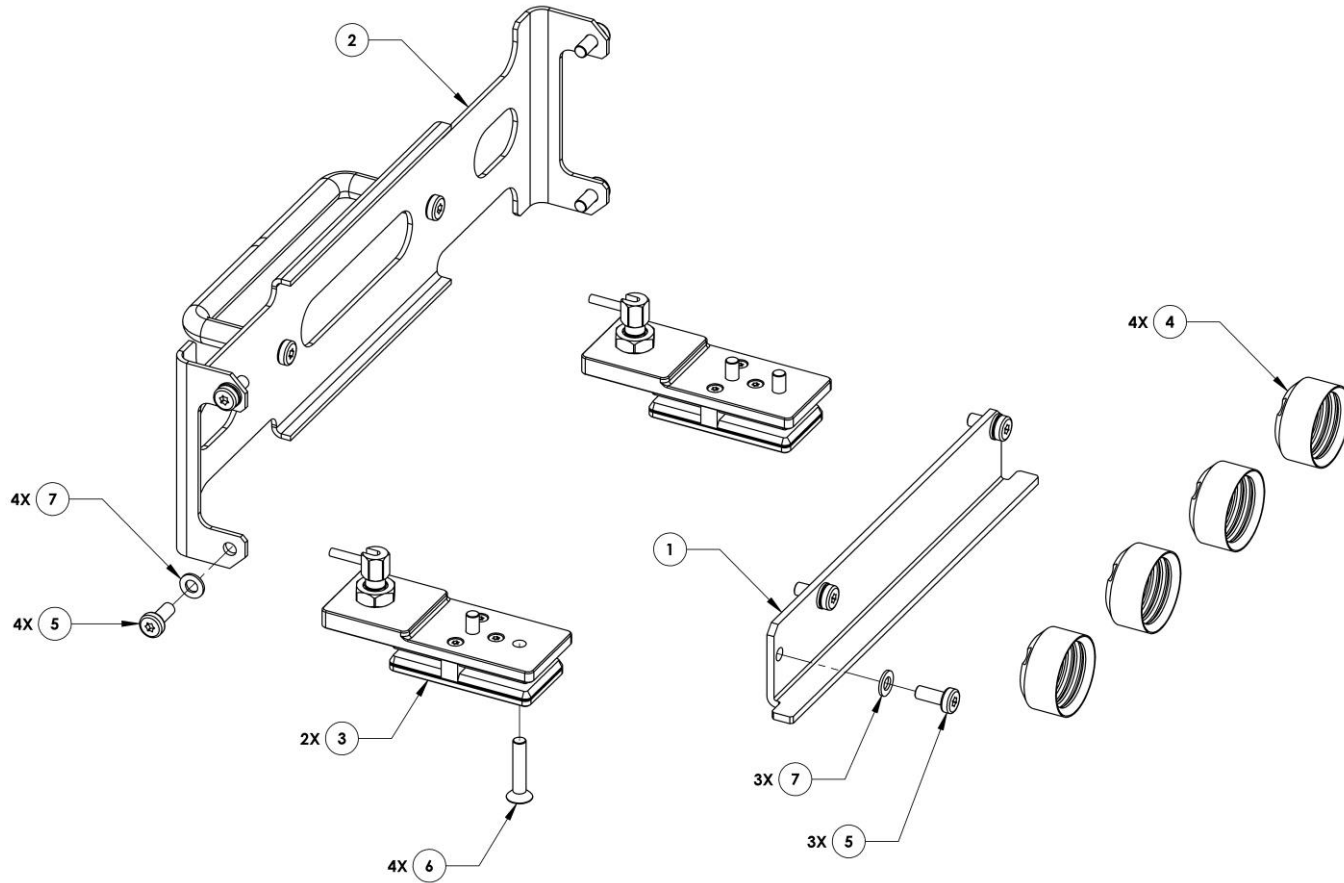


Figure 1: Exploded View with Item Numbers

Item #	QTY	Description
1	1	Bracket, Location, RM-06
2	1	Subassembly, Radio Bracket
3	2	Subassembly, Slide
4	4	Boot, Connector
5	7	Screw, TPH, M5, SS, ZN-AL, 12MM
6	4	Screw, TFH, M5, SS, ZN-AL, 25MM
7	7	Washer, Regular, SS, ZN-AL, M5

Table 1: BOM of RM-06

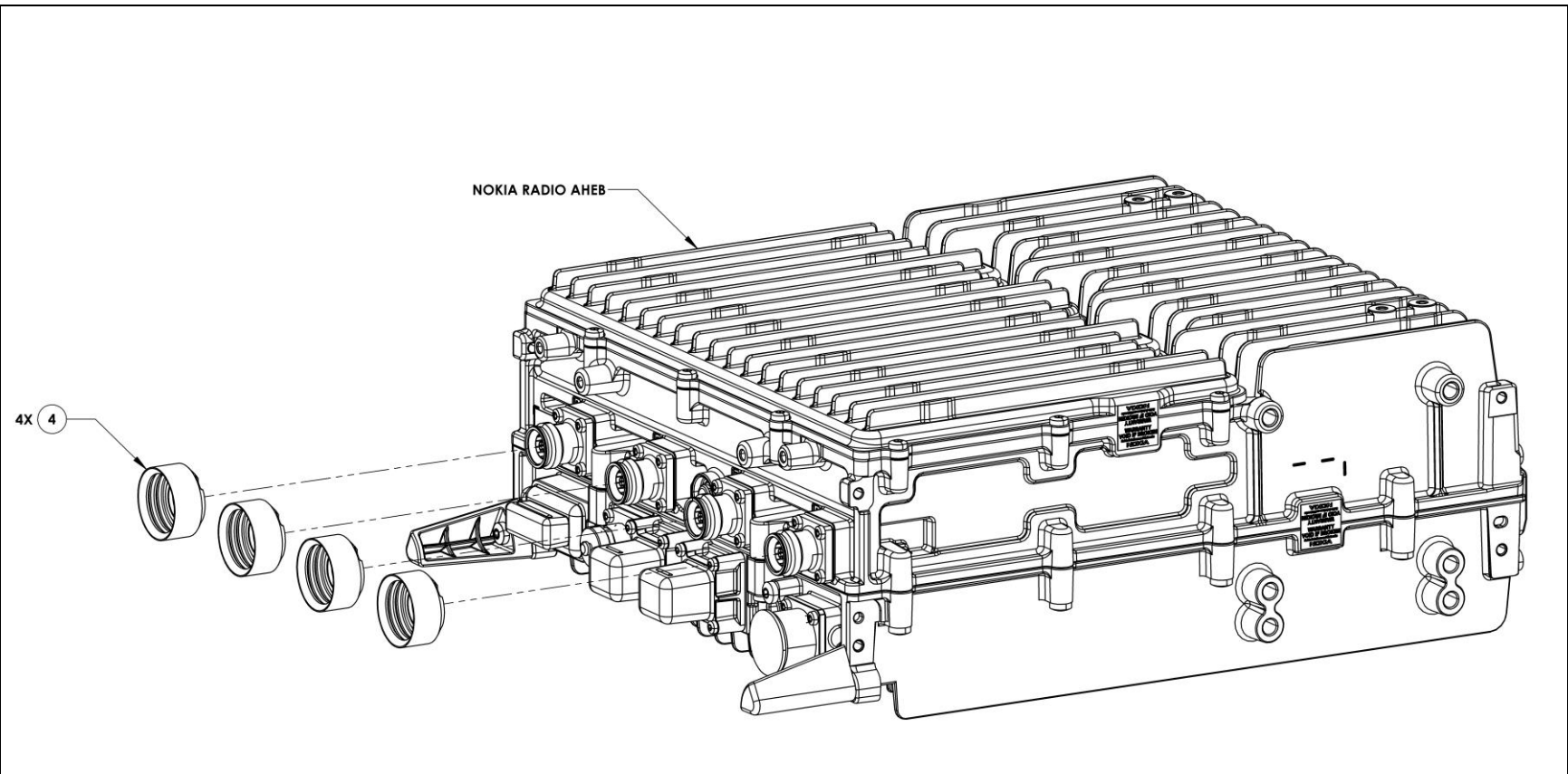
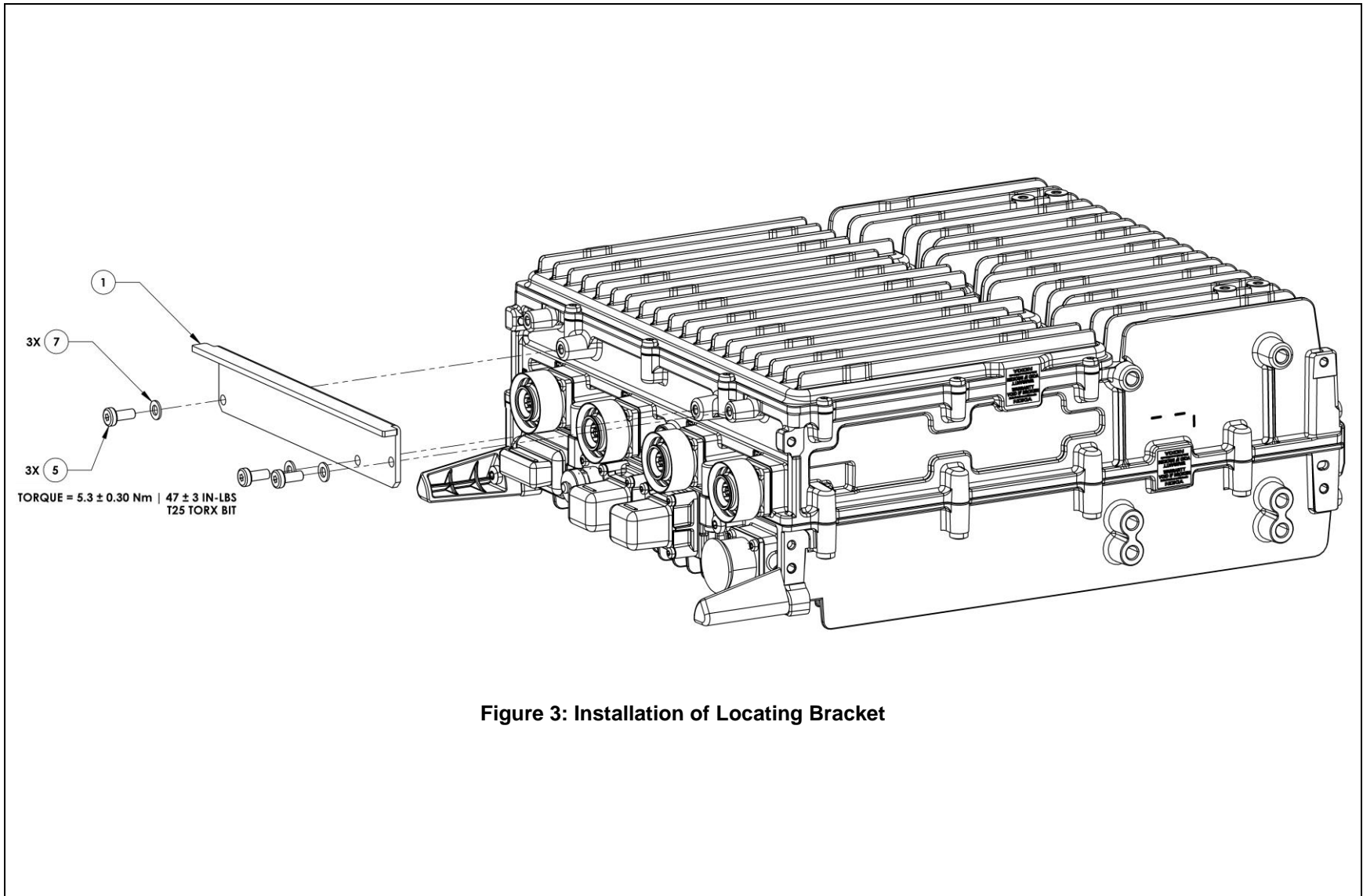


Figure 2: Installation of Connector Boots

Note: Slide Boots (Item 4) over connector threads, and push flush with the connector flange.



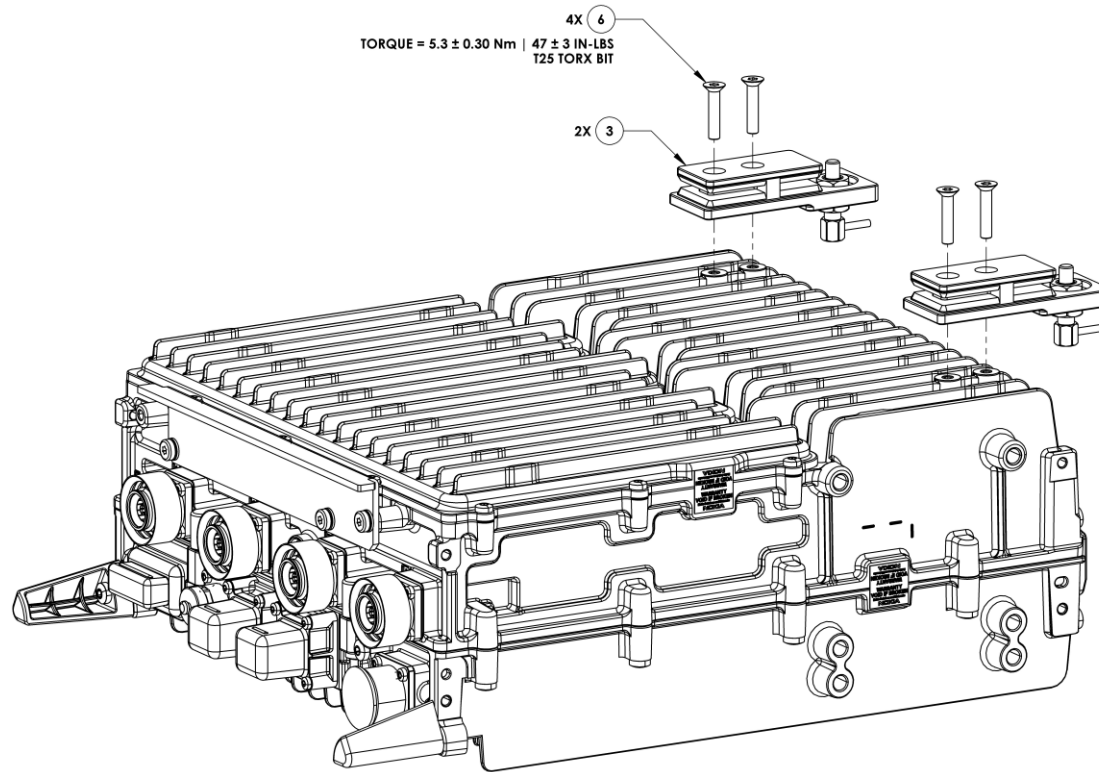


Figure 4: Installation of Slides

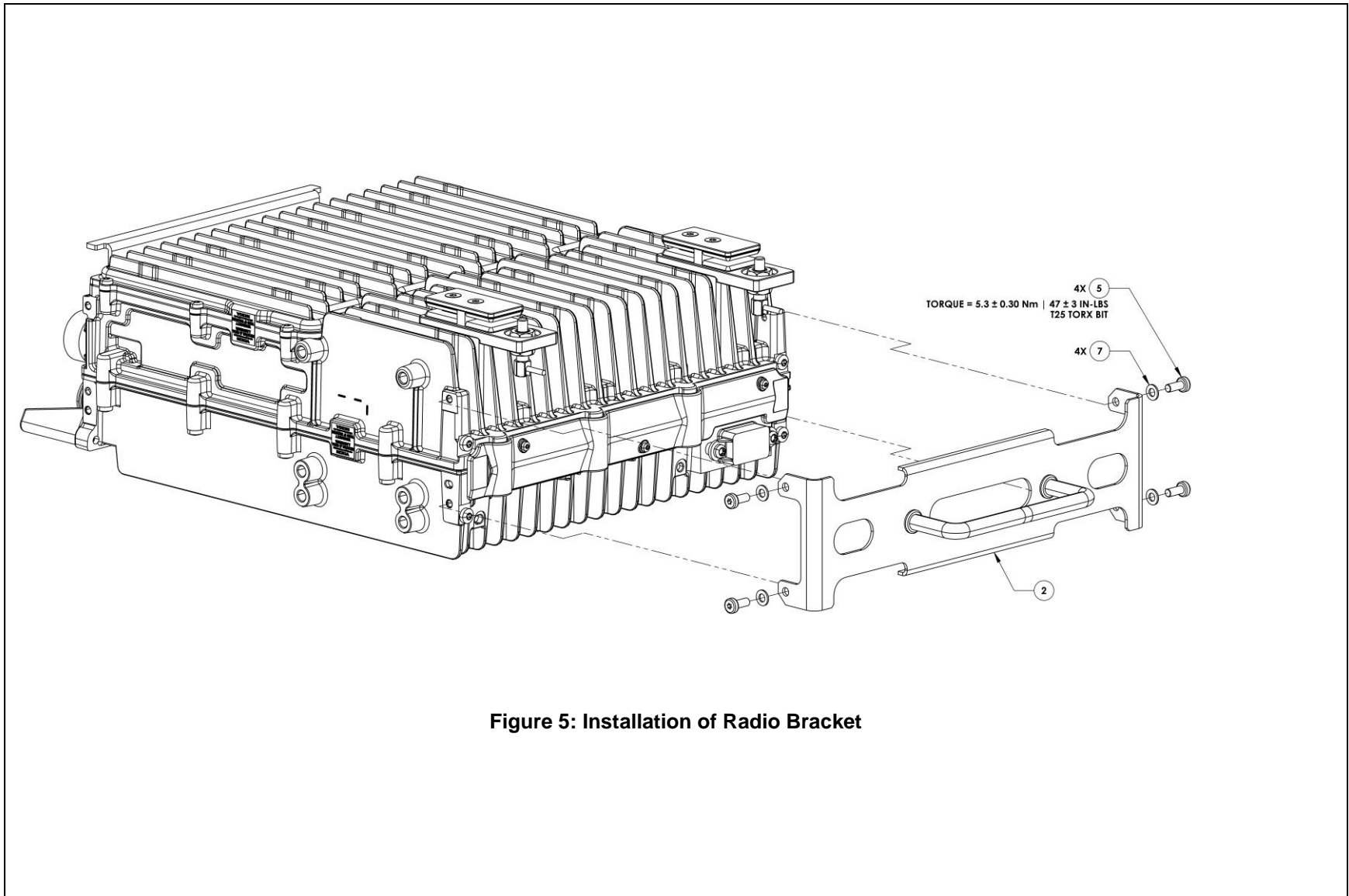


Figure 5: Installation of Radio Bracket