

The installation, maintenance, or removal of an antenna requires qualified, experienced personnel. You must refer to the appropriate local safety codes and ensure proper electrical and electromagnetic compatibility before proceeding with the installation. All local codes shall take precedence over information in this document. Antenna systems should be inspected once a year by qualified personnel to verify proper installation, maintenance, and condition of equipment. Communication Components Antennas Inc. disclaims any liability or responsibility for the results of improper or unsafe installation.

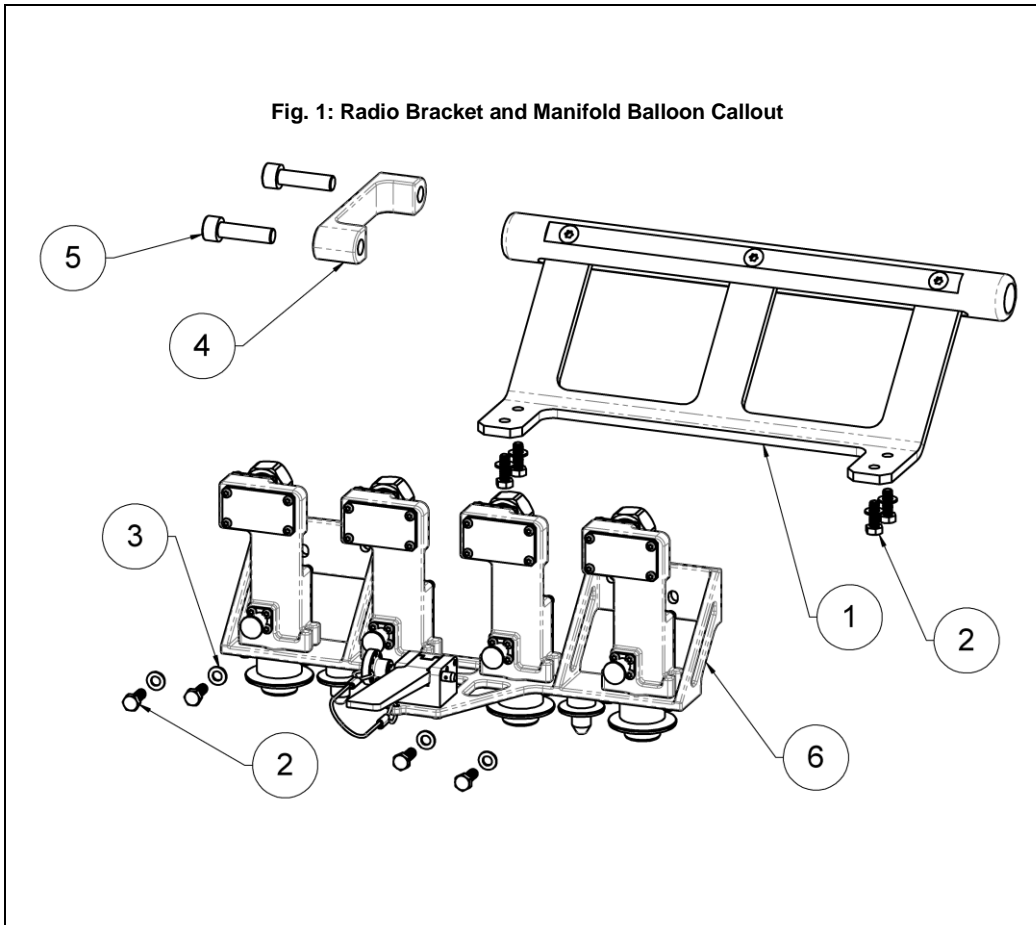


Fig. 2: Radio Bracket and Manifold BOM

| ITEM | QTY | DESCRIPTION |
|------|-----|---|
| 1 | 1 | SUBASSEMBLY, BRACKET, RADIO |
| 2 | 8 | SCREW, HHC, M5, SS, THREAD-LOCKING, 14MM, DIN 933, ISO 4027, 8MM HEX |
| 3 | 8 | PLAIN WASHER, REGULAR, STAINLESS STEEL, 5MM |
| 4 | 1 | HANDLE, RADIO |
| 5 | 4 | SCREW, SHC, M8, SS, THREAD-LOCKING, 30MM, DIN 912, ISO 4762, 6MM HEX SOCKET |
| 6 | 4 | TOP LEVEL ASSY, COUPLERS, MANIFOLD |

Fig. 3: Location of Radio Bracket on Radio

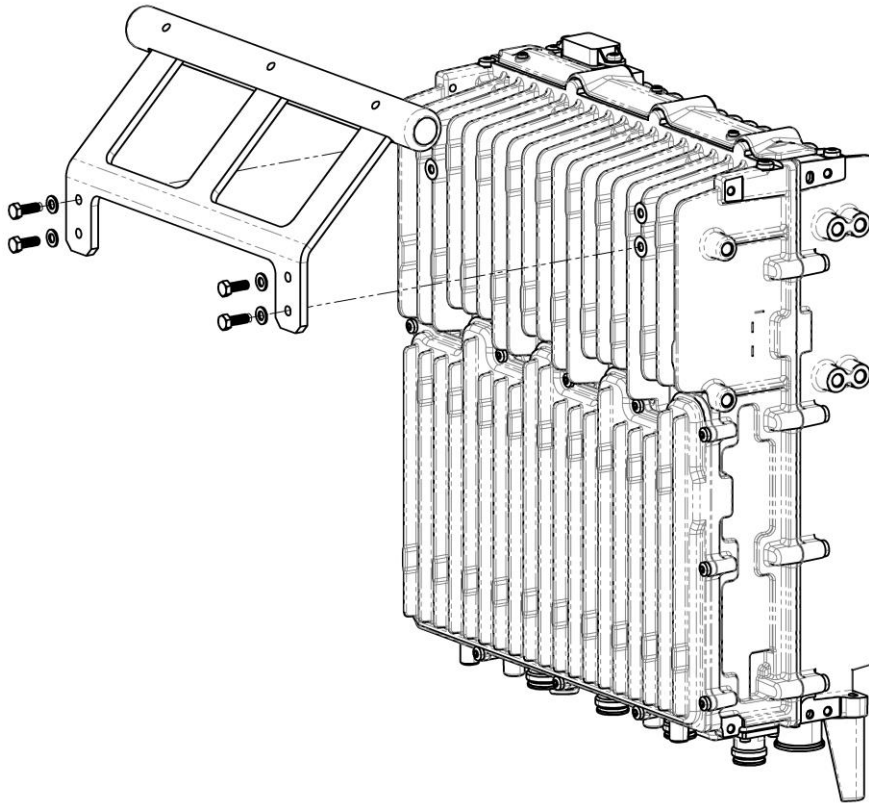
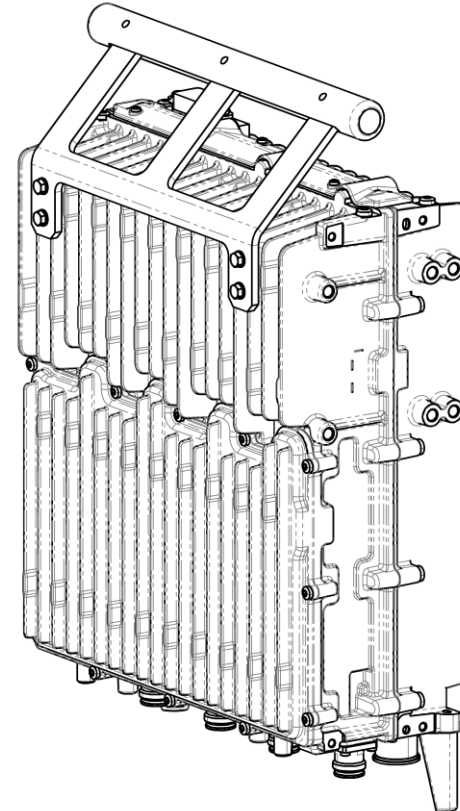


Fig. 4: Radio Bracket Installed on Radio



Step Task

- 1 Place the four M5 HHC screws (Item 2) through the 5MM Plain Washers (Item 3) into the bracket subassembly (Item 1) and locate over the Nokia radio as shown in Fig. 3. Install the HHC screws into the radio and torque the screws to 5.7 ± 0.3 N·m (50.0 \pm 2.0 in-lbs.). The radio/bracket assembly should appear as shown in Fig. 4 once the bracket is installed.

Fig. 5: Location of Handle on Radio

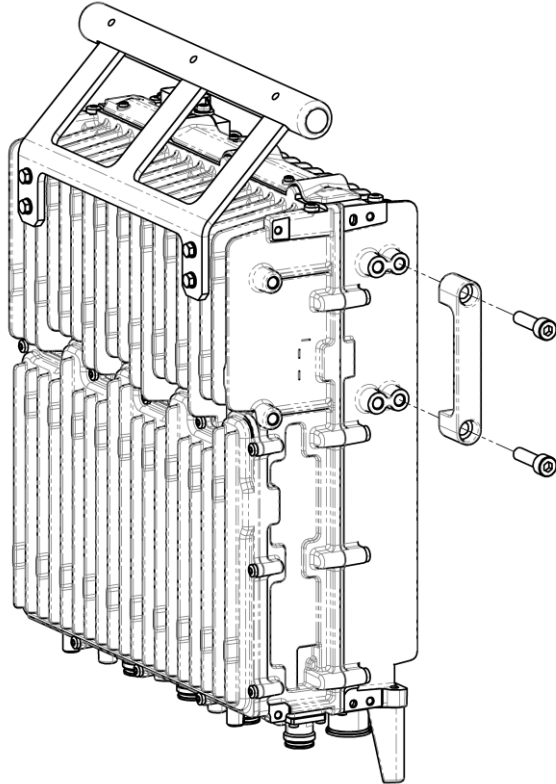
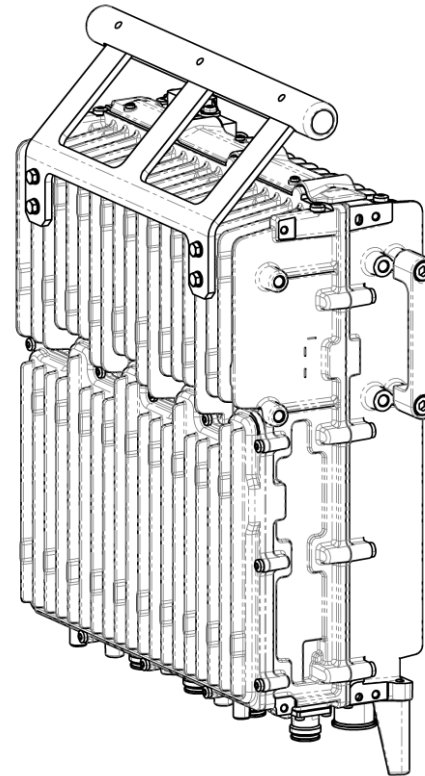


Fig. 6: Handle Installed on Radio



Step Task

- 2 Place the two M8 SHC screws (Item 5) into the handle (Item 4) and locate over the Nokia radio as shown in Fig. 5. Install the SHC Head screws into the radio and torque the screws to 22.7 ± 1.1 N·m (201.0 ± 9.0 in-lbs.). The radio/bracket/handle assembly should appear as shown in Fig. 6 once the bracket is installed.
-

Fig. 7: Location of Radio Manifold on Radio After Radio Bracket Installation

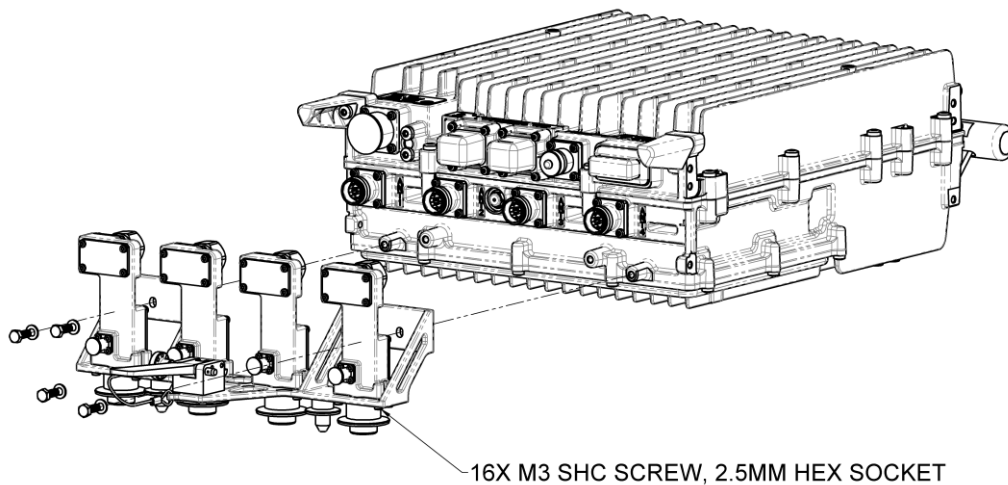
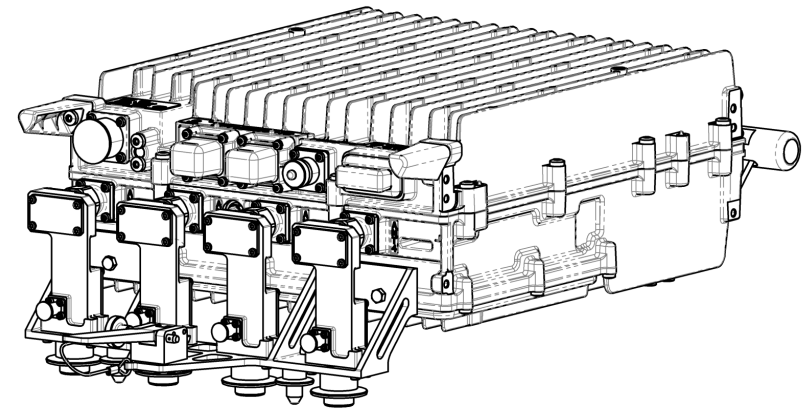


Fig. 8: Radio Bracket and Manifold Installed on Radio



| Step | Task |
|------|------|
|------|------|

- | | |
|---|--|
| 3 | Clean the RF Connectors on the Radio and the portion of the Coupler Manifold which connects to the Radio per proper RF requirements prior to assembling the Radio and Coupler Manifold. Prior to installing the Manifold assembly loosen the sixteen M3 SHC screws holding the Coupler subassemblies by $\frac{1}{4}$ turn (see image). Place the Radio Coupler Manifold (Item 6) onto the RF Connectors on the Nokia Radio/Bracket subassembly as shown in Fig 7 above. Hand tighten the 4.3-10 connectors so that the mating surfaces are touching. Install the four M5 HHC (Item 6) screws and tighten until no gap is present, and then loosen $\frac{1}{8}$ turn. Torque the RF connectors to a value of 5.0 ± 0.5 N·m (44.0 ± 3.0 in-lbs.) for 4.3-10 connector type. Then tighten all of the M3 SHC screws and torque them to 1.4 ± 0.1 N·m (12.0 ± 1.0 in-lbs.). Finally, tighten the four M5 HHC screws and torque them to 5.7 ± 0.3 Nm (50.0 ± 2.0 in-lbs.). The Nokia Radio/Bracket/Manifold assembly should appear as shown in Fig. 8 when completed. |
|---|--|