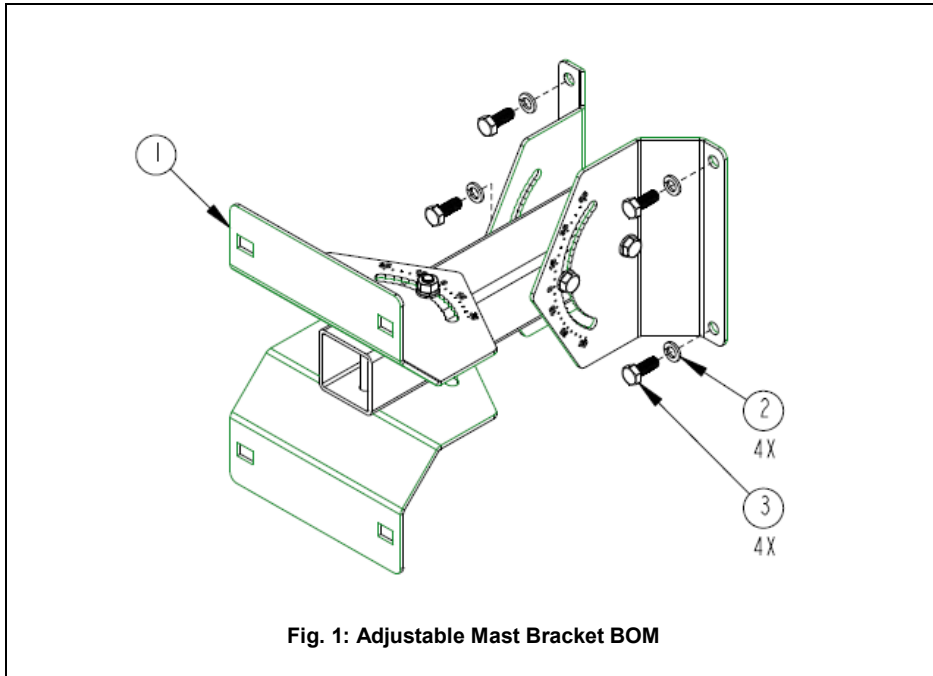


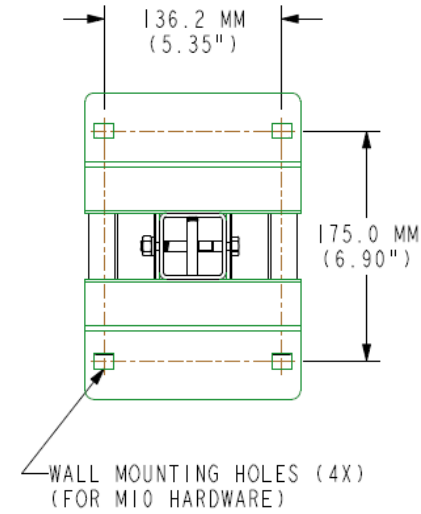
# Adjustable Mast Bracket Installation Guide



**Fig. 1: Adjustable Mast Bracket BOM**

ITEM	QTY	DESCRIPTION
1	1	MAST BRACKET, ADJUSTABLE, METRIC, M65-1.5
2	4	WASHER, SPLT LK, M8, DIN 127B, STEEL, ROHS HOT DIP GALV
3	4	SCREW, CAP, HEX, M8-1.25 X 20L, DIN 933, STEEL, CLASS 8.8, ROHS HOT DIP GALV

**Fig. 2: Wall Mounting Pattern**



BACK VIEW

**Step Task**

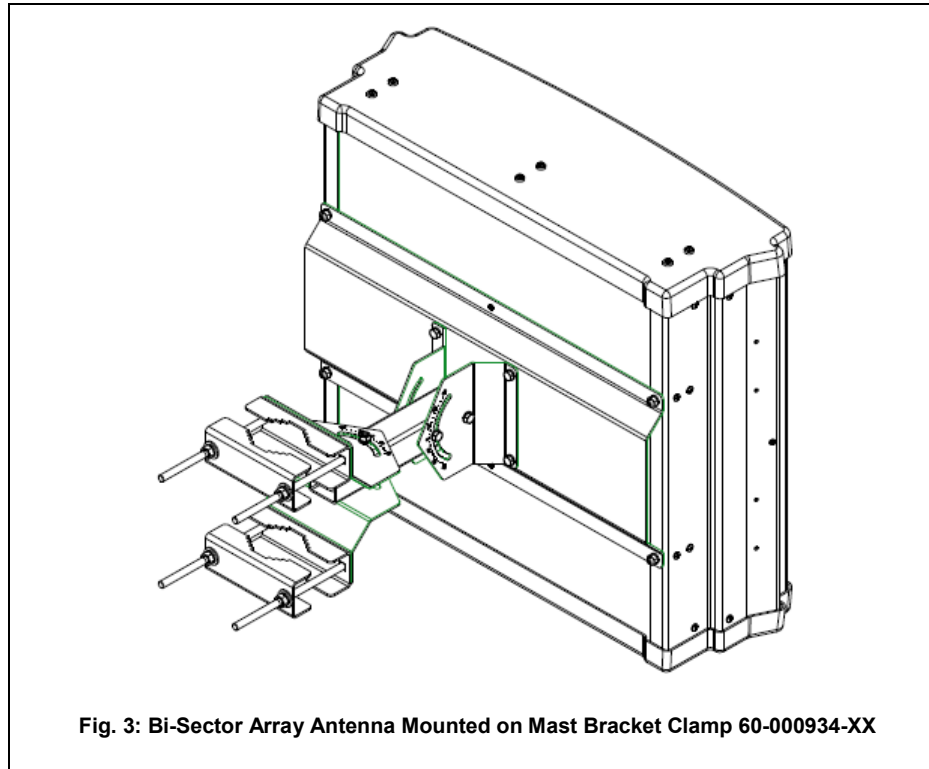
- 1 The Adjustable Mast Bracket can be wall mounted (using appropriate M10 hardware or equivalent, supplied by the customer) or pole mounted using the Mast Bracket Clamp 60-000934-XX. See Fig. 1 for Adjustable Mast Bracket BOM.
- 2 If wall mounting the antenna, use the template shown in Fig. 2 for the wall mounting pattern.

**Step Task**

- 3 If pole mounting the Adjustable Mast Bracket, use the Mast Bracket Clamp 60-000934-XX as can be found in Installation Guide 50-000035-XX.
- 4 Lift the antenna up to the wall or mast location to continue assembly. Mount the antenna to the Adjustable Mast Bracket using the hardware shown in the balloon callouts above. Secure the antenna to the mast and torque all mounting fasteners to 20 N·m (15 ft-lbs).

**DISCLAIMER:**

The installation, maintenance, or removal of an antenna requires qualified, experienced personnel. You must refer to the appropriate local safety codes and ensure proper electrical and electromagnetic compatibility before proceeding with the installation. All local codes shall take precedence over information in this document. Antenna systems should be inspected once a year by qualified personnel to verify proper installation, maintenance, and condition of equipment. Communication Components Antennas Inc. disclaims any liability or responsibility for the results of improper or unsafe installation.



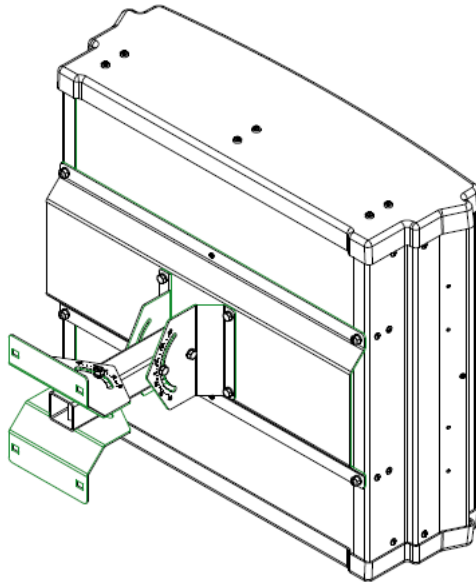
**Fig. 3: Bi-Sector Array Antenna Mounted on Mast Bracket Clamp 60-000934-XX**

Step	Task
5	The Adjustable Mast Bracket with antenna as mounted on Mast Bracket Clamp 60-000934-XX is shown in Fig. 3. Note that a Bi-Sector Array Antenna is pictured.

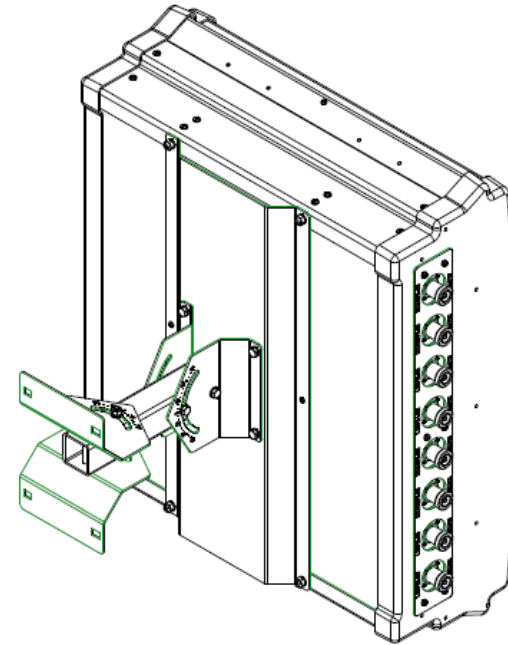
**DISCLAIMER:**

The installation, maintenance, or removal of an antenna requires qualified, experienced personnel. You must refer to the appropriate local safety codes and ensure proper electrical and electromagnetic compatibility before proceeding with the installation. All local codes shall take precedence over information in this document. Antenna systems should be inspected once a year by qualified personnel to verify proper installation, maintenance, and condition of equipment. Communication Components Antennas Inc. disclaims any liability or responsibility for the results of improper or unsafe installation.

**Fig. 4: Horizontal Antenna Mounting Orientation**



**Fig. 5: Vertical Antenna Mounting Orientation**



Step	Task
------	------

- |   |   |
|---|---|
| 6 | Horizontal mounting orientation of antenna is shown in Fig. 4 above. Note that a Bi-Sector Array Antenna is pictured. |
|---|---|

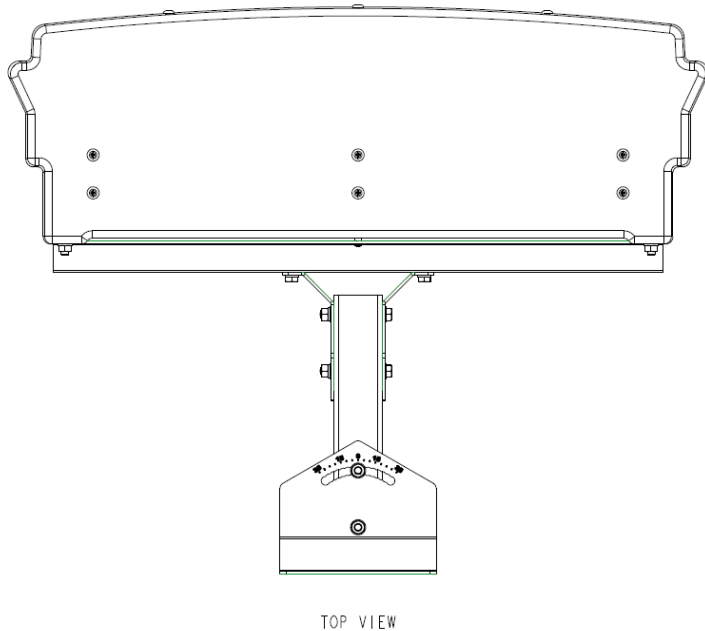
Step	Task
------	------

- |   |   |
|---|---|
| 7 | Vertical mounting orientation of antenna is shown in Fig. 5 above. Note that a Bi-Sector Array Antenna is pictured. |
|---|---|

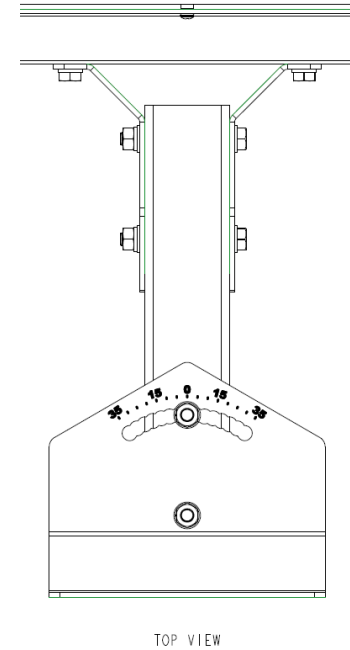
**DISCLAIMER:**

The installation, maintenance, or removal of an antenna requires qualified, experienced personnel. You must refer to the appropriate local safety codes and ensure proper electrical and electromagnetic compatibility before proceeding with the installation. All local codes shall take precedence over information in this document. Antenna systems should be inspected once a year by qualified personnel to verify proper installation, maintenance, and condition of equipment. Communication Components Antennas Inc. disclaims any liability or responsibility for the results of improper or unsafe installation.

**Fig.6: Horizontal Adjustment**



**Fig. 7: Horizontal Adjustment Detail**



**Step Task**

- 8 Loosen the horizontal adjustment hardware, and align the antenna in the horizontal direction specified by the site engineer. Note that when the antenna is mounted horizontally or vertically (see Fig. 4, 5), it can be adjusted for  $\pm 35^\circ$  horizontal alignment (see Fig. 6). This example shows "Horizontal" antenna mounting orientation.

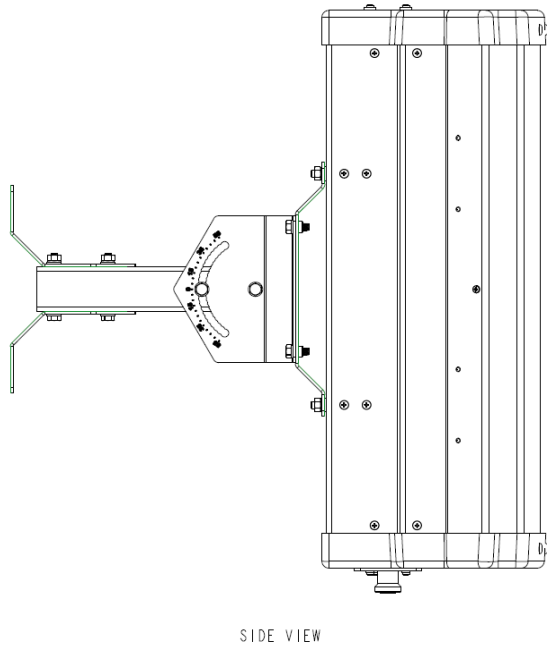
**Step Task**

- 9 Horizontal alignment can be made in  $5^\circ$  increments by retracting the adjustment bolt on the adjustable mast bracket and moving the antenna. See Fig. 7 for the Horizontal Adjustment Detail (magnified view).
- 10 Once horizontal adjustment is complete, retighten the horizontal adjustment hardware to 20 N·m (15 ft-lbs).

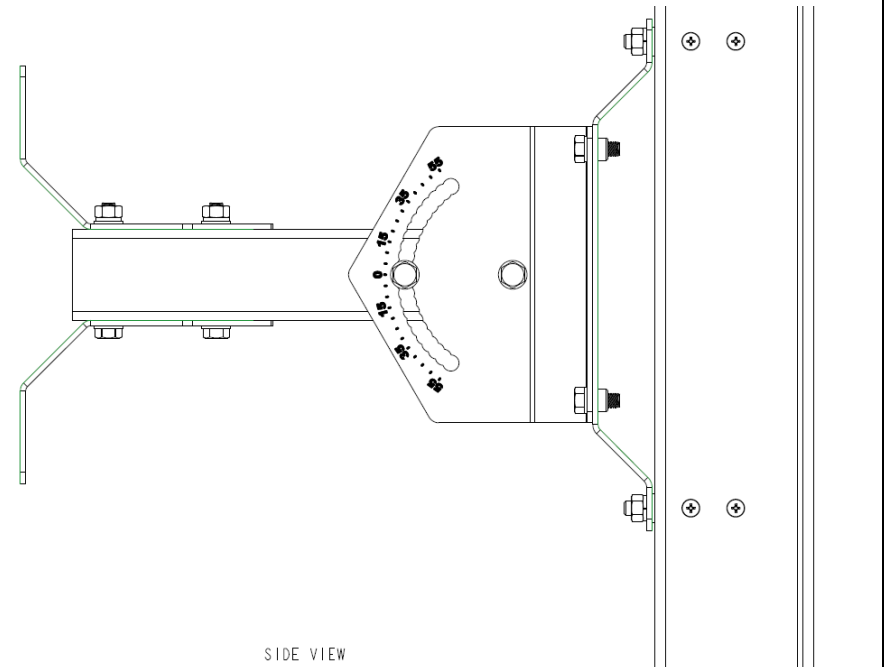
**DISCLAIMER:**

The installation, maintenance, or removal of an antenna requires qualified, experienced personnel. You must refer to the appropriate local safety codes and ensure proper electrical and electromagnetic compatibility before proceeding with the installation. All local codes shall take precedence over information in this document. Antenna systems should be inspected once a year by qualified personnel to verify proper installation, maintenance, and condition of equipment. Communication Components Antennas Inc. disclaims any liability or responsibility for the results of improper or unsafe installation.

**Fig. 8: Vertical Adjustment**



**Fig. 9: Vertical Adjustment Detail**



**Step Task**

- 11 Loosen the vertical adjustment hardware, and align the antenna in the vertical direction specified by the site engineer. Note that when the antenna is mounted horizontally (see Fig. 4), it can be adjusted for  $\pm 55^\circ$  vertical tilt (see Fig. 8). This example shows “Horizontal” antenna mounting orientation. Note that when the antenna is mounted vertically (see Fig. 5), it can only be adjusted for  $\pm 35^\circ$  vertical tilt due to physical limitations (antenna would hit the mounting surface).

**Step Task**

- 12 Vertical alignment can be made in  $5^\circ$  increments by retracting the adjustment bolt on the adjustable mast bracket and moving the antenna. See Fig. 9 for the Vertical Adjustment Detail (magnified view).
- 13 Once vertical adjustment is complete, retighten the vertical adjustment hardware to 20 N·m (15 ft-lbs). Refer to Antenna Installation Guide.

**DISCLAIMER:**

The installation, maintenance, or removal of an antenna requires qualified, experienced personnel. You must refer to the appropriate local safety codes and ensure proper electrical and electromagnetic compatibility before proceeding with the installation. All local codes shall take precedence over information in this document. Antenna systems should be inspected once a year by qualified personnel to verify proper installation, maintenance, and condition of equipment. Communication Components Antennas Inc. disclaims any liability or responsibility for the results of improper or unsafe installation.