



Filters & Combiners

DATA SHEET

Universal DAS Interface Tray

TRA-DAS-UNIV



- Universal mounting system for all CCI DAS Interface “Modules
- Modular Design allows for various combinations of the 700 MHz , 850 (Cellular), 1900 (PCS), 2100 (AWS) and 2300 (WCS) Bands in a single tray
- DAS Module configurations can be:
 - MIMO and SIMO configurations for various bands LTE 700, AWS, WCS, 850 & 1900 MHz)
 - Dual Technology modules in the same band and different technologies (e.g. 850 GSM/850 UMTS or 1900 GSM/1900 UMTS) can occupy the same tray
 - Dual Band modules in different bands, but same technology can occupy the same tray (e.g. 850 UMTS/1900 UMTS)
- Universal Tray is 19” Rack Mounted and is 1U high. It allows mounting of both 1U and 2U DAS Interface Modules within the tray

Overview

CCI’s Universal DAS Tray is a universal mounting platform for all CCI DAS Interface “Modules”. CCI’s Universal DAS Tray may have any of the modular style DAS Interface units that are 1U or 2U in height mounted in the tray. DAS Interface modules can be mixed or matched in any combination of two (2) modules per physical tray. DAS Interface modules include those for 700 MHz, 850 MHz (Cellular), 1900 MHz (PCS), 2100 MHz (AWS) and in the future 2300 MHz (WCS) band.

Note that the possible configurations include DAS Trays configured for Dual Technology operation in the same band, Dual Band Operation utilizing the same Technology and various SIMO/MIMO configurations for LTE solutions. If available space is minimal, configurations can even include those where modules that are not related in any way. Several common configurations are shown herein.



Filters & Combiners

SPECIFICATIONS

Universal DAS Interface Tray

TRA-DAS-UNIV

Configuration Table

Any two (2) of the listed DAS Interface Models fit on a Universal DAS Tray (Model Number TRA-DAS-UNIV)				
Style	MIMO to MIMO Simplex Output	MIMO to MIMO Duplex Output	MIMO to SIMO Simplex Output	MIMO to SIMO Duplex Output
700L	DAST-700L-MODC-S	DAST-700L-MODC-D	DAST-700L-MODD-S	DAST-700L-MODD-D
700H	DAST-700H-MODC-S	DAST-700H-MODC-D	DAST-700H-MODD-S	DAST-700H-MODD-D
850 (Cellular)	DAST-850-MODC-S	DAST-850-MODC-D	DAST-850-MODD-S	DAST-850-MODD-D
1900 (PCS)	DAST-1900-MODC-S	DAST-1900-MODC-D	DAST-1900-MODD-S	DAST-1900-MODD-D
2100 (AWS)	DAST-2100-MODC-S	DAST-2100-MODC-D	DAST-2100-MODD-S	DAST-2100-MODC-D
2300 (WCS)	DAST-2300-MODC-S	DAST-2300-MODC-D	DAST-2300-MODD-S	DAST-2300-MODC-D

Any two (2) of the listed DAS Interface Models fit on a Universal DAS Tray (Model Number TRA-DAS-UNIV)		
Style	X2 For MIMO to MIMO Simplex Output	Shared Dual MIMO-MIMO or Shared Dual SIMO-SIMO
700L 700H	DAST-700-MODA*	DAST-700-MOdB*
850 (Cellular)	NA	NA
1900 (PCS)	NA	NA
2100 (AWS)	DAST-1721-MODA*	NA
2300 (WCS)	NA	NA

* End of Life - No Longer in Production

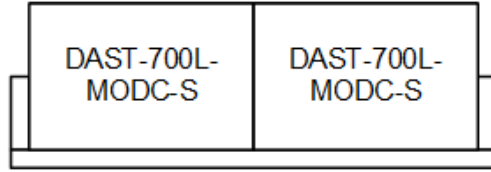


Filters & Combiners

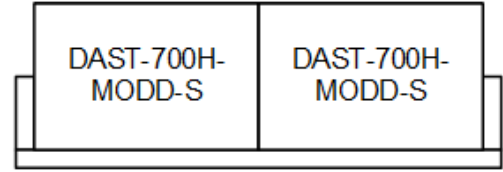
SPECIFICATIONS

Universal DAS Interface Tray

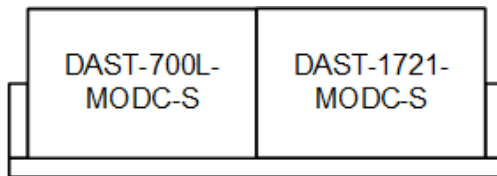
TRA-DAS-UNIV



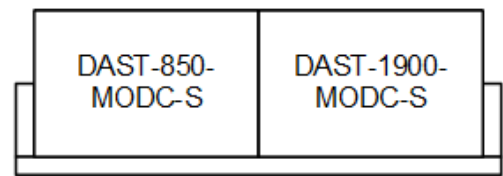
Example 1: 2 x 700 MHz (Low Band) MIMO to MIMO Modules with Simplex Output to DAS System Configuration



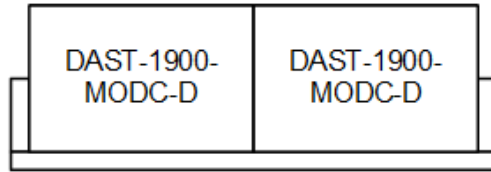
Example 2: 2 x 700 MHz (High Band) MIMO to MIMO Modules with Simplex Output to DAS System Configuration



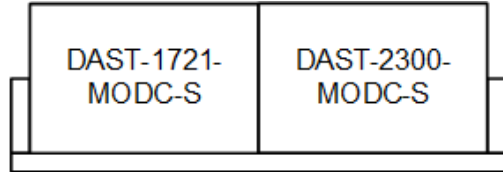
Example 3: 700 MHz (Low Band) MIMO to MIMO and AWS MIMO to MIMO Modules with Simplex Output to DAS System Configuration



Example 4: Dual Band (850 MHz/1900 MHz) MIMO to MIMO Modules with Simplex Output to DAS System Configuration



Example 5: Dual Technology (GSM/UMTS) Single Band (1900 MHz/1900 MHz) MIMO to MIMO Modules with Duplex Output to DAS System Configuration



Example 6: Dual Band (2100 MHz/2300 MHz) MIMO to MIMO Modules with Simplex Output to DAS System Configuration



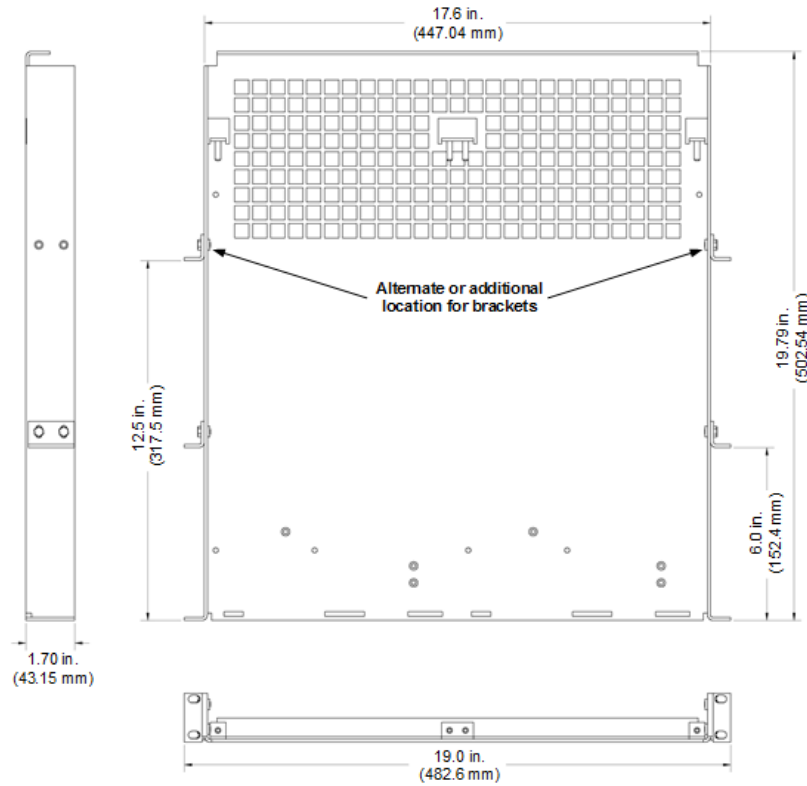
Filters & Combiners

SPECIFICATIONS

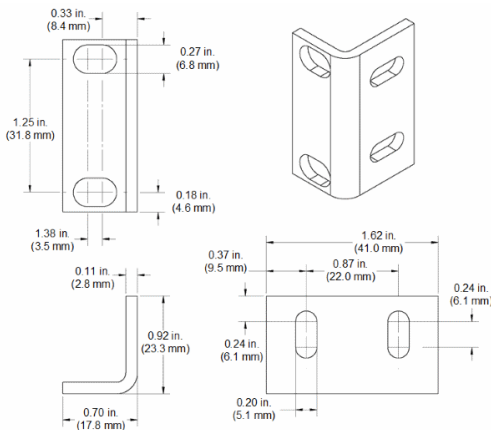
Universal DAS Interface Tray

TRA-DAS-UNIV

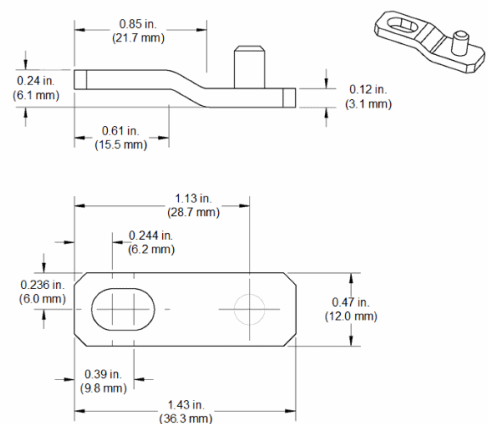
Outline Diagrams



Universal Tray Outline Drawing



Bracket Outline Drawing



Front Bracket Outline Drawing



Filters & Combiners

STANDARDS &
CERTIFICATIONS

Universal DAS Interface Tray

TRA-DAS-UNIV

Parts & Accessories

TRA-DAS-UNIV Universal DAS Tray

Weight 3.5 lbs (1.59 kg) stand alone
3.8 lbs (1.72 kg) with 4 brackets and 8 screws



CCI Communication Components Inc.
EXTENDING WIRELESS PERFORMANCE