

- Patented LEGO Complimentary Array Topology allows for significantly reduced width in the Low Band (LB) and Mid Band (MB) arrays, with higher gain against similar sized competing products
- Patented LEGO Complimentary Array Topology configuration allows for 4T4R (4x4 MIMO) on LB and Dual 4T4R (4x4 MIMO) MB Arrays, using full length arrays (non stacked), all in a 23.8" (606 mm) width enclosure, an Industry First
- Eight foot (2.3 m) DualBand, twelve port antenna with a 45° azimuth beamwidth covering 698-960 MHz and 1695-2690 MHz frequencies
- Eight wide mid band ports covering 1695-2690 MHz and four wide low band ports covering 698-960 MHz in a single antenna enclosure
- Full Spectrum Compliance 698-960 MHz / 1695-2690 MHz
- LTE Optimized FBR and SPR performance, providing for an efficient use of valuable radio capacity
- LTE Optimized Boresight and Sector XPD and USL performance, essential for LTE Performance
- Exceeds minimum PIM performance requirements
- Equipped with 4.3-10 connectors
- Equipped with 3 RET-T17iG3-M, internal integrated AISG 2.0 compliant Remote Electrical Tilt (RET) Controllers

Overview

The CCI 12-Port 45° DualBand array is a twelve port antenna, with eight wide mid band ports covering 1695-2690 MHz and four wide low band ports covering 698-960 MHz. The antenna provides the capability to deploy Dual 4x4 Multiple-input Multiple-output (MIMO) in the MB and 4X4 MIMO across low band ports. The CCI 12-Port 45° MB ports have independent tilt control between first and second set of 4X4 MIMO MB antenna arrays.

In this three RET configuration, the 1st RET is dedicated for the four LB ports. The 2nd RET is dedicated to the first 4X4 MIMO MB ports and the 3rd RET is dedicated to the second 4X4 MIMO MB ports. This RET arrangement allows for complete flexibility in coverage control between first and second mid band antenna arrays.

CCI antennas are designed and produced to ISO 9001 certification standards for reliability and quality in our state-of-the-art manufacturing facilities.

Applications

- Dual 4x4 MIMO for the MB and 4X4 MIMO LB ports
- Ready for Network Standardization on 4.3-10 connectors
- With CCI's DualBand antennas, wireless providers can connect multiple platforms to a single antenna, reducing tower load, lease expense, deployment time and installation costs



DualBand Twelve-Port Antenna

TPA45R-KE8B

SPECIFICATIONS

Electrical

Ports	4 × Low Band Ports for 698-960 MHz			
Frequency Range	698-806 MHz	790-862 MHz	824-896 MHz	880-960 MHz
Gain	16.7 dBi	17.0 dBi	17.6 dBi	17.9 dBi
Azimuth Beamwidth (-3dB)	45°	42°	40°	38°
Elevation Beamwidth (-3dB)	8.8°	8.1°	7.7°	7.2°
Electrical Downtilt	0° to 8°	0° to 8°	0° to 8°	0° to 8°
Elevation Sidelobes (1st Upper)	< -17 dB	< -18 dB	< -18 dB	< -17 dB
Front-to-Back Ratio @180°	> 34 dB	> 35 dB	> 35 dB	> 35 dB
Cross-Polar Discrimination at Peak	> 25 dB	> 25 dB	> 25 dB	> 25 dB
Cross-Polar Port-to-Port Isolation	> 25 dB	> 25 dB	> 25 dB	> 25 dB
Voltage Standing Wave Ratio (VSWR)	< 1.5:1	< 1.5:1	< 1.5:1	< 1.5:1
Passive Intermodulation (2x20W)	≤ -153 dBc	≤ -153 dBc	≤ -153 dBc	≤ -153 dBc
Input Power Continuous Wave (CW)	500 watts	500 watts	500 watts	500 watts
Polarization	Dual Linear 45°	Dual Linear 45°	Dual Linear 45°	Dual Linear 45°
Input Impedance	50 ohms	50 ohms	50 ohms	50 ohms
Lightning Protection	DC Ground	DC Ground	DC Ground	DC Ground

All specifications are subject to change without notice.

BASTA Electrical Specifications*				
Frequency Range	698-806 MHz	790-862 MHz	824-896 MHz	880-960 MHz
Gain over all Tilts (dBi)	15.9	16.6	16.9	17.3
Gain over all Tilts Tolerance (dB)	0.5	0.3	0.4	0.3
Gain at Low-Tilt (dBi)	15.8	16.5	16.8	17.1
Gain at Mid-Tilt (dBi)	15.9	16.6	16.9	17.4
Gain at High-Tilt (dBi)	15.9	16.6	16.9	17.3
Azimuth Beamwidth Tolerance (°)	5.8	5.4	3.3	4.9
Elevation Beamwidth Tolerance (°)	0.6	0.4	0.4	0.4
Electrical Downtilt Deviation (°)	0.5	0.5	0.5	0.5
First Upper Sidelobe Suppression (dB)	15.5	16.1	16.1	15.4
Upper Sidelobe Suppression Peak to 20°(dB)	15.8	15.8	15.8	15.2
Front-to-Back Ratio over ±20° (dB)	22.4	22.7	23.7	24.3
Cross-polar Discrimination at 3 dB (dB)	17.9	19.5	18.9	19.4

* Electrical specifications follow document "Recommendation on Base Station Antenna Standards" (BASTA) V11.1. All specifications are subject to change without notice.



DualBand Twelve-Port Antenna

TPA45R-KE8B

SPECIFICATIONS

Electrical

Ports	8 x Mid Band Ports for 1695-2690 MHz				
Frequency Range	1695-1880 MHz	1850-1990 MHz	1920-2180 MHz	2300-2400 MHz	2496-2690 MHz
Gain	19.4 dBi	19.9 dBi	20.4 dBi	20.3 dBi	21.3 dBi
Azimuth Beamwidth (-3dB)	49°	46°	46°	43°	41°
Elevation Beamwidth (-3dB)	4.5°	4.2°	4.0°	3.4°	3.1°
Electrical Downtilt	0° to 8°	0° to 8°	0° to 8°	0° to 8°	0° to 8°
Elevation Sidelobes (1st Upper)	< -20 dB	< -22 dB	< -21 dB	< -19 dB	< -20 dB
Front-to-Back Ratio @180°	> 30 dB	> 32 dB	> 34 dB	> 35 dB	> 35 dB
Cross-Polar Discrimination at Peak	> 19 dB	> 20 dB	> 24 dB	> 21 dB	> 22 dB
Cross-Polar Port-to-Port Isolation	> 25 dB	> 25 dB	> 25 dB	> 25 dB	> 25 dB
Voltage Standing Wave Ratio (VSWR)	< 1.5:1	< 1.5:1	< 1.5:1	< 1.5:1	< 1.5:1
Passive Intermodulation (2x20W)	≤ -153 dBc	≤ -153 dBc	≤ -153 dBc	≤ -153 dBc	≤ -153 dBc
Input Power Continuous Wave (CW)	300 watts	300 watts	300 watts	300 watts	300 watts
Polarization	Dual Linear 45°	Dual Linear 45°	Dual Linear 45°	Dual Linear 45°	Dual Linear 45°
Input Impedance	50 ohms	50 ohms	50 ohms	50 ohms	50 ohms
Lightning Protection	DC Ground	DC Ground	DC Ground	DC Ground	DC Ground

All specifications are subject to change without notice.

BASTA Electrical Specifications*					
Frequency Range	1695-1880 MHz	1850-1990 MHz	1920-2180 MHz	2300-2400 MHz	2496-2690 MHz
Gain over all Tilts (dBi)	18.1	18.8	19.2	19.4	19.9
Gain over all Tilts Tolerance (dB)	0.8	0.7	0.8	0.8	0.9
Gain at Low-Tilt (dBi)	18.2	19.0	19.3	19.6	19.8
Gain at Mid-Tilt (dBi)	18.1	18.9	19.3	19.5	20.0
Gain at High-Tilt (dBi)	17.9	18.7	19.1	19.1	19.7
Azimuth Beamwidth Tolerance (°)	8.3	4.9	3.6	4.8	3.1
Elevation Beamwidth Tolerance (°)	0.2	0.2	0.3	0.2	0.2
Electrical Downtilt Deviation (°)	0.5	0.5	0.5	0.5	0.4
First Upper Sidelobes Suppression (dB)	17.1	15.8	15.0	14.2	12.8
Upper Sidelobe Suppression Peak to 20°(dB)	13.9	13.6	13.7	14.1	12.2
Front-to-Back Ratio over ±20° (dB)	18.8	22.2	23.9	26.8	27.8
Cross-polar Discrimination at 3 dB (dB)	9.5	13.6	13.8	15.9	14.5

* Electrical specifications follow document "Recommendation on Base Station Antenna Standards" (BASTA) V11.1. All specifications are subject to change without notice.



SPECIFICATIONS

DualBand Twelve-Port Antenna

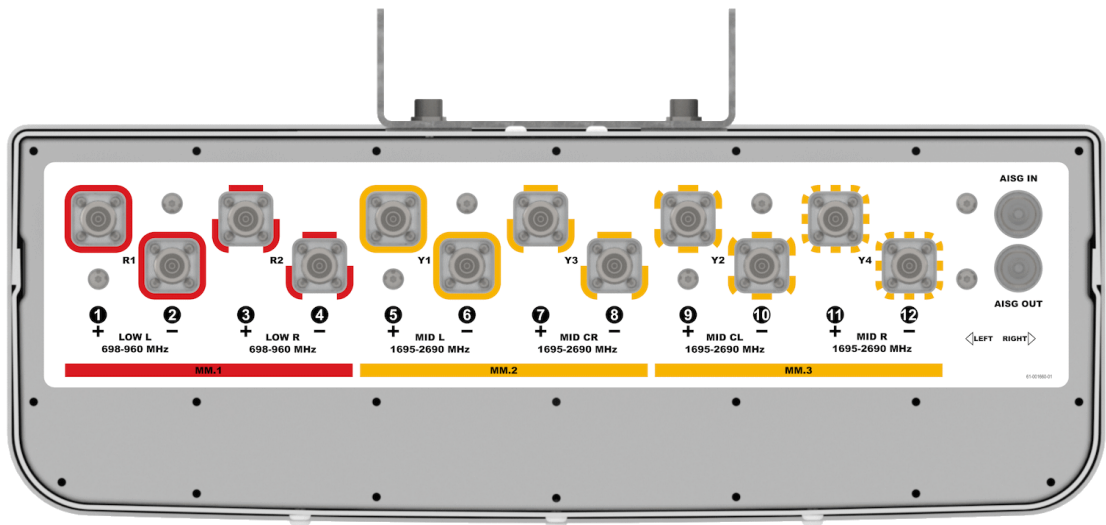
TPA45R-KE8B

Mechanical

Dimensions (LxWxD)	90.7x23.8x8.4 in (2304x606x214 mm)
Survival Wind Speed	> 150 mph (> 241 kph)
Front Wind Load ¹	318 lbf @ 100 mph 1415 N @ 161 kph
Side Wind Load ¹	87 lbf @ 100 mph 388 N @ 161 kph
Effective Projective Area (EPA), Front ¹	12.9 ft ² (1.2 m ²)
Weight *	105.8 lbs (48.0 kg)
RF Connector	12 x 4.3-10 female
Mounting Pole	2 to 5 in (5 to 12 cm)

¹Windload values calculated using CFD analysis
* Weight excludes mounting

Bottom View





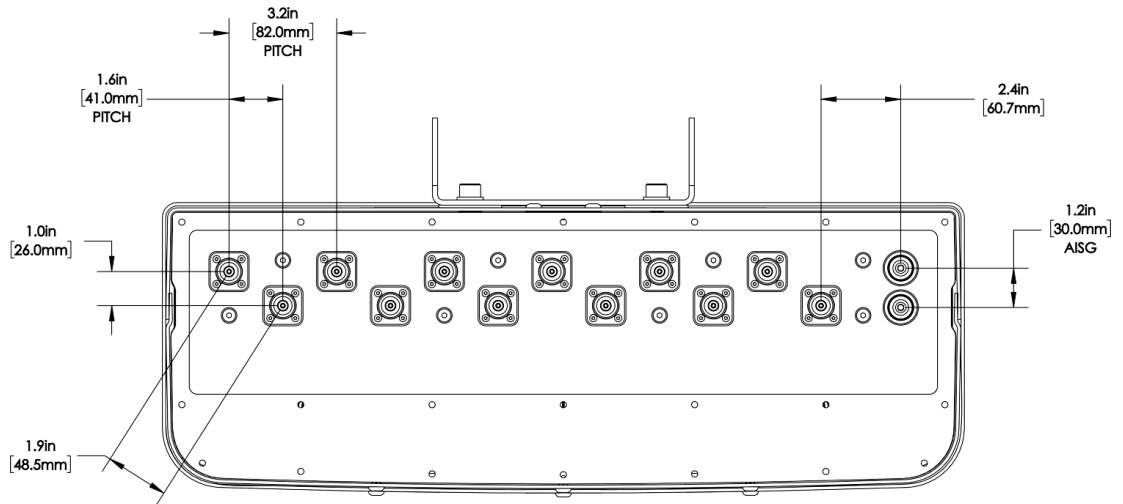
DualBand Twelve-Port Antenna

TPA45R-KE8B

SPECIFICATIONS

Mechanical

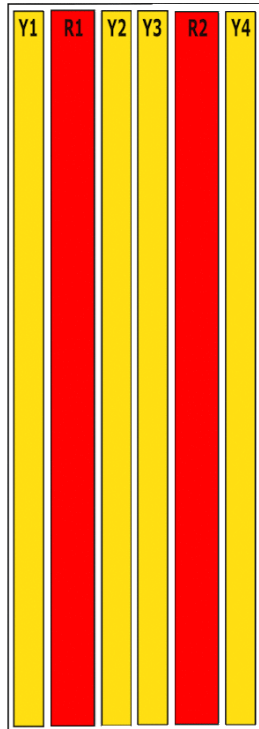
Connector Spacing



RET to Element Configuration

TPA45R-KE8BA Element and RET configuration (Type T17iG3-M Internal RET)

Top of antenna Viewed from rear



Array	Ports	Freq (MHz)	Ports controlled by common RET	AISG RET UID
R1	1, 2	698-960	1, 2, 3, 4	ClxxxxxMM.1
R2	3, 4	698-960		
Y1	5, 6	1695-2690	5, 6, 7, 8	ClxxxxxMM.2
Y3	7, 8	1695-2690		
Y2	9, 10	1695-2690	9, 10, 11, 12	ClxxxxxMM.3
Y4	11, 12	1695-2690		



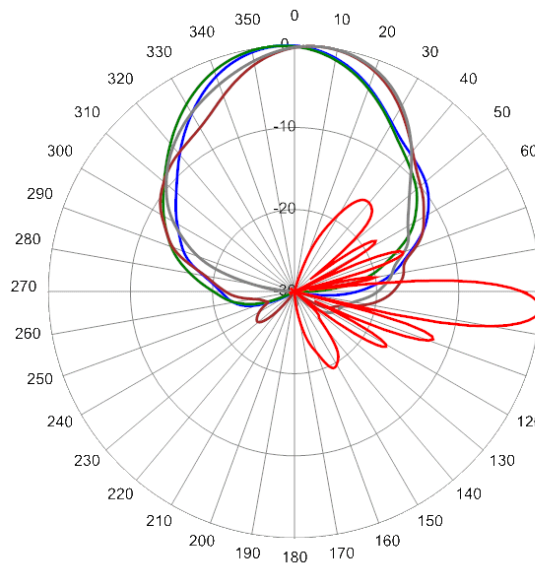
SPECIFICATIONS

DualBand Twelve-Port Antenna

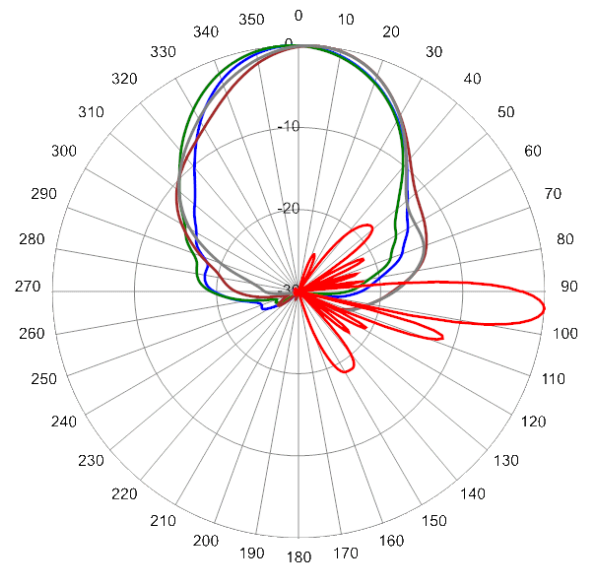
TPA45R-KE8B

Typical Antenna Patterns

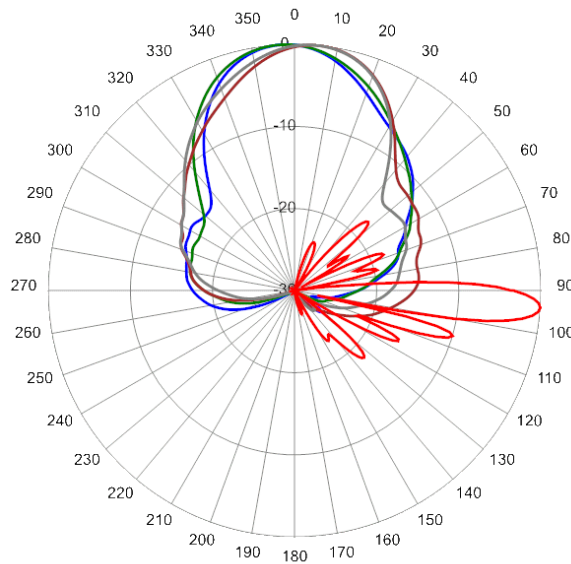
For detailed information on additional antenna patterns, contact customer support at support@cciproducts.com



734 MHz Azimuth with Elevation 4°



824 MHz Azimuth with Elevation 4°



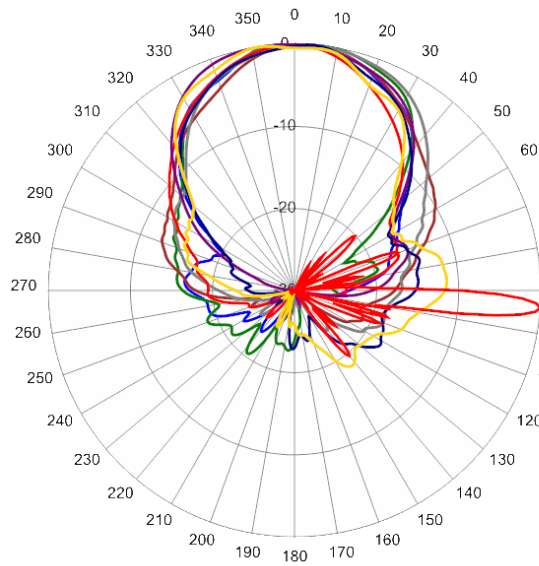
925 MHz Azimuth with Elevation 4°



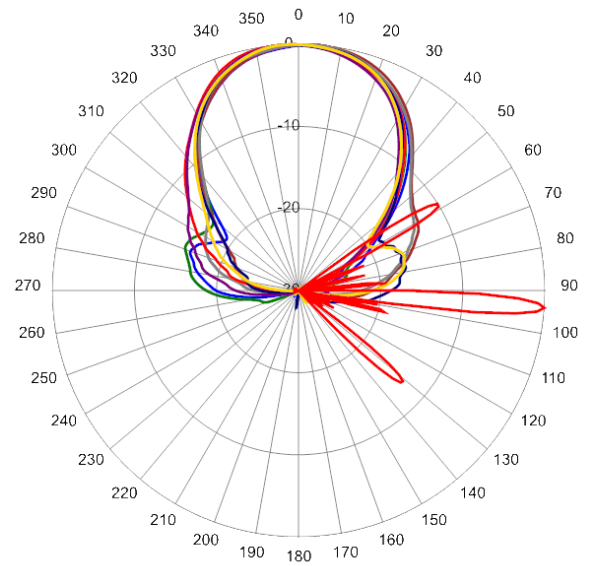
DualBand Twelve-Port Antenna

TPA45R-KE8B

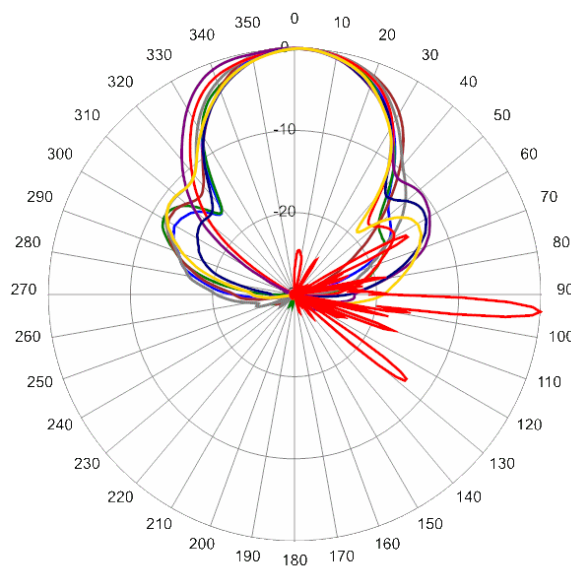
Typical Antenna Patterns



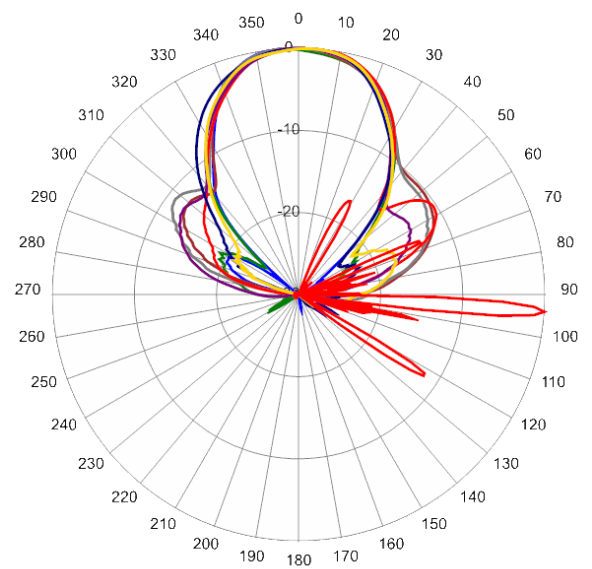
1755 MHz Azimuth with Elevation 4°



2110 MHz Azimuth with Elevation 4°



2320 MHz Azimuth with Elevation 4°



2650 MHz Azimuth with Elevation 4°



ORDERING

DualBand Twelve-Port Antenna

TPA45R-KE8B

Parts & Accessories

- TPA45R-KE8BA-K** Eight foot (2.3 m) DualBand antenna with 45° azimuth beamwidth, 4.3-10 female connectors, 3 factory RET-T17iG3-M actuators and MBK-01 mounting bracket
- MBK-01** Mounting bracket kit (top and bottom) with 0° to 10° mechanical tilt adjustment
- MBK-16** Mounting bracket kit (top and bottom) with fixed 0° mechanical tilt
- AISGC-M-F-10FT** 10 Ft (3 m) Male/Female RRU to Antenna AISG cable

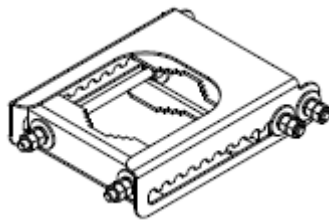


Mounting Bracket Kit

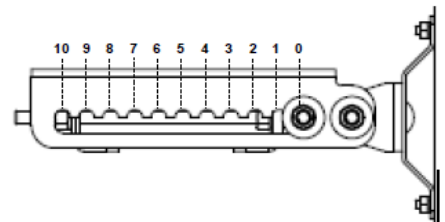
MBK-01

Mechanical

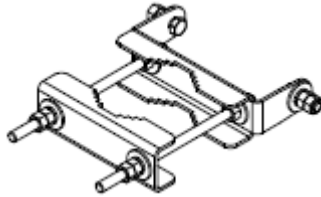
Weight	12.6 lbs (5.7 kg)
Hinge Pitch	47.25 in (1200 mm)
Mounting Pole Dimension	2 to 5 in (5 to 12 cm)
Fastener Size	M12
Installation Torque	40 ft·lb (54 N·m)
Mechanical Tilt Adjustment	0° - 10°



MBK-01 Top Adjustable Bracket



MBK-01 Top Adjustable Bracket Side View



MBK-01 Bottom Fixed Bracket

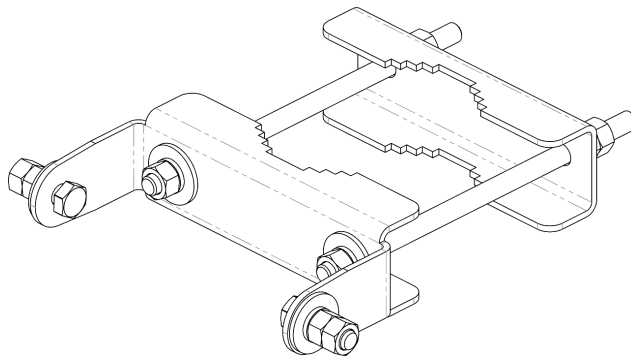
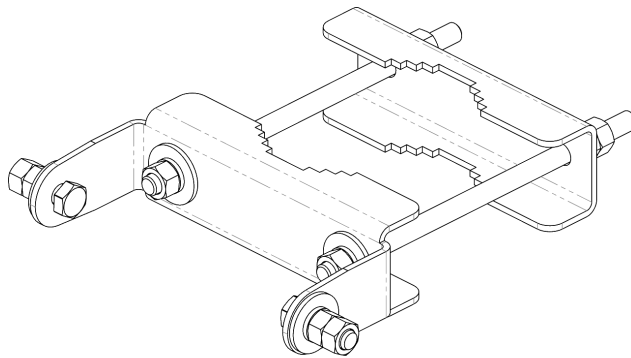


Mounting Bracket Kit

MBK-16

Mechanical

Weight	9.9 lbs (4.5 kg)
Hinge Pitch	47.25 in (1200 mm)
Mounting Pole Dimension	2 to 5 in (5 to 12 cm)
Fastener Size	M12
Installation Torque	40 ft·lbs (54 N·m)
Mechanical Tilt	0°



MBK-16 Top and Bottom Bracket



AISG Cable

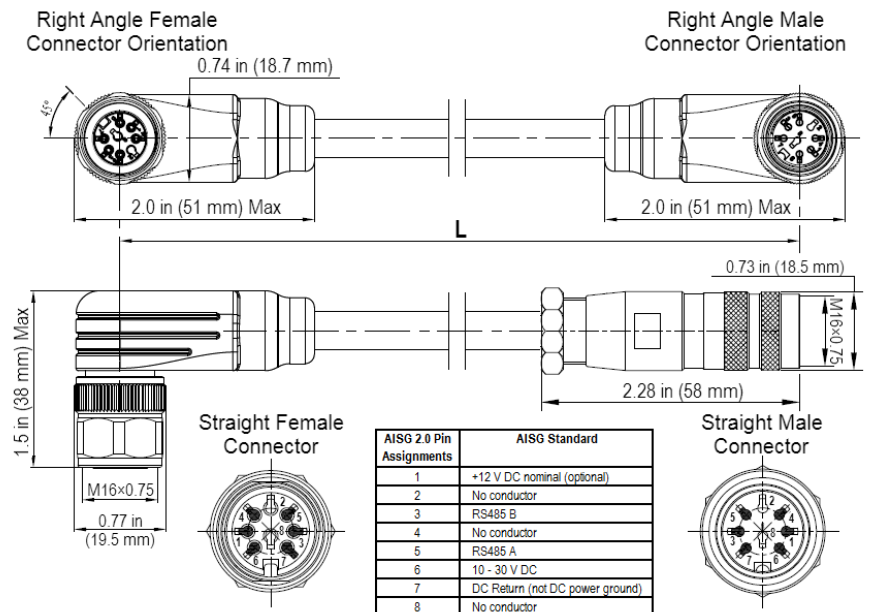
AISGC-M-F-xFT

Electrical Specifications

Individual Cable Part Number	AISGC-M-F-x(FT)
Cable style	UL2464
Protocol	AISG 1.1 and AISG 2.0
Maximum voltage	300 V
Rated current	5 A at 104° F (40° C)

Mechanical Specifications

Individual Cable Part Number	AISGC-M-F-x(FT)
Cables per kit	1
Connectors	2 x 8 pin IEC 60130-9 Straight male/straight female
Tightening torque	Hand tighten only \approx 1.84 ft-lbs (2.5 Nm)
Construction	Shielded (Tinned Copper Braid)
Braid coverage	85%
Jacket Material	Matte Polyurethane (Black)
Conductors	1 twisted pair - 24 AWG 3 conductors - 19 AWG AWM style 2464
Cable Diameter	0.307 in (7.8 mm)
Length	See order details
Minimum bend radius	3.15 in (80 mm)



AISG-Male to AISG-Female Jumper Cable



Environmental Specifications

Individual Cable Part Number	AISGC-M-F-xFT
Temperature Range	-40° to 80° C
Flammability	UL 1581 VW-1
Ingress Protection	IEC 60529:2001, IP67



STANDARDS & CERTIFICATIONS

DualBand Twelve-Port Antenna

TPA45R-KE8B

Standards & Compliance

Safety	EN 60950-1, UL 60950-1
Emission	EN 55022
Immunity	EN 55024
Environmental	IEC 60068-2-1, IEC 60068-2-2, IEC 60068-2-5, IEC 60068-2-6, IEC-60068-2-11, IEC 60068-2-14, IEC 60068-2-18, IEC 60068-2-27, IEC 60068-2-29, IEC 60068-02-30, IEC 60068-2-52, IEC 60068-2-64, GR-63-CORE 4.3.1, EN 60529, IP 24

Certifications

Antenna Interface Standards Group (AISG), Federal Communication Commission (FCC) Part 15 Class B, CE, CSA US, ISO 9001

