



- Eight foot (2.4 m), TriBand, twelve port antenna with a 33° azimuth beamwidth covering 614-960 MHz and 1695-2690 MHz frequencies
- Eight wide Mid Band ports covering 1695-2690 MHz and four wide Low Band ports covering 614-960 MHz in a single antenna enclosure
- Full Spectrum Compliance 614-960 MHz / 1695-2690 MHz
- Innovative Array design to provide maximum pattern control and performance, while minimizing enclosure size
- LTE Optimized FBR and SPR performance, providing for an efficient use of valuable radio capacity
- LTE Optimized Boresight and Sector XPD and USL performance, essential for LTE Performance
- Exceeds minimum PIM performance requirements
- Equipped with new 4.3-10 connector, which is 40% smaller than traditional 7/16 DIN connector
- Equipped with 3 field replaceable, integrated AISG 2.0 compliant Remote Electrical Tilt (RET) Controllers (Type 17 Internal)

Overview

The CCI 12-Port TriBand array is a twelve port antenna, with eight wide Mid Band ports covering 1695-2690 MHz and four wide Low Band ports covering 614-960 MHz. The antenna provides the capability to deploy Dual 4x4 Multiple-input Multiple-output (MIMO) in the Mid Band and 4X4 MIMO across Low Band ports. The CCI 12-Port Mid Band ports have independent tilt control between top and bottom antenna arrays.

In this three RET configuration, the 1st RET is dedicated for the four Low Band ports. The 2nd RET is dedicated for the four Mid Band ports and the 3rd RET is dedicated for the second four Mid Band ports. This RET arrangement allows for complete flexibility in coverage control between top and bottom Mid Band antenna arrays.

CCI antennas are designed and produced to ISO 9001 certification standards for reliability and quality in our state-of-the-art manufacturing facilities.

Applications

- Dual 4x4 MIMO for the Mid Band and 4X4 MIMO Low Band ports
- Ready for Network Standardization on 4.3-10 DIN connectors
- With CCI's TriBand antennas, wireless providers can connect multiple platforms to a single antenna, reducing tower load, lease expense, deployment time and installation costs



TriBand Twelve-Port Antenna

TPA33R-TE8C

SPECIFICATIONS

Electrical

Ports	4 × Low Band Ports for 614-960 MHz			
Frequency Range	614-698 MHz	698-806 MHz	824-896 MHz	880-960 MHz
Gain	15.1 dBi	15.7 dBi	16.5 dBi	16.6 dBi
Azimuth Beamwidth (-3dB)	37°	35°	31°	30°
Elevation Beamwidth (-3dB)	23.6°	20.1°	16.7°	15.5°
Electrical Downtilt	2° to 16°	2° to 16°	2° to 16°	2° to 16°
Elevation Sidelobes (1st Upper)	< -16 dB	< -16 dB	< -14 dB	< -13 dB
Front-to-Back Ratio @180°	> 28 dB	> 32 dB	> 35 dB	> 35 dB
Cross-Polar Discrimination at Peak	> 24 dB	> 28 dB	> 28 dB	> 28 dB
Cross-Polar Port-to-Port Isolation	> 24 dB	> 25 dB	> 25 dB	> 22 dB
Voltage Standing Wave Ratio (VSWR)	< 1.5:1	< 1.5:1	< 1.5:1	< 1.5:1
Passive Intermodulation (2x20W)	≤ -153 dBc	≤ -153 dBc	≤ -153 dBc	≤ -153 dBc
Input Power Continuous Wave (CW)	500 watts	500 watts	500 watts	500 watts
Polarization	Dual Linear 45°	Dual Linear 45°	Dual Linear 45°	Dual Linear 45°
Input Impedance	50 ohms	50 ohms	50 ohms	50 ohms
Lightning Protection	DC Ground	DC Ground	DC Ground	DC Ground

BASTA Electrical Specifications				
Frequency Range	614-698 MHz	698-806 MHz	824-896 MHz	880-960 MHz
Gain over all Tilts (dBi)	14.1	15.2	15.9	16.0
Gain over all Tilts Tolerance (dB)	0.8	0.4	0.4	0.5
Gain at Low-Tilt (dBi)	14.3	15.2	16.1	16.2
Gain at Mid-Tilt (dBi)	14.2	15.2	16.0	16.2
Gain at High-Tilt (dBi)	13.9	15.1	15.8	15.8
Azimuth Beamwidth Tolerance (°)	2.7	0.8	2.7	1.5
Elevation Beamwidth Tolerance (°)	2.5	1.7	1.5	1.3
Electrical Downtilt Deviation (°)	1.5	1.1	1.5	1.6
First Upper Sidelobe Suppression (dB)	13.6	13.6	11.2	10.6
Upper Sidelobe Suppression Peak to 20°(dB)	20.0	20.0	15.9	13.2
Front-to-Back Ratio over ±20° (dB)	21.5	25.9	27.1	25.5
Cross-polar Discrimination at 3 dB (dB)	20.5	22.3	15.9	13.0

* Electrical specifications follow document "Recommendation on Base Station Antenna Standards" (BASTA) V11.1. All specifications are subject to change without notice.



TriBand Twelve-Port Antenna

TPA33R-TE8C

SPECIFICATIONS

Electrical

Ports	8 x Mid Band Ports for 1695-2690 MHz				
Frequency Range	1695-1880 MHz	1850-1990 MHz	1920-2180 MHz	2300-2400 MHz	2496-2690 MHz
Gain	18.0 dBi	18.5 dBi	18.8 dBi	19.1 dBi	19.4 dBi
Azimuth Beamwidth (-3dB)	36°	36°	35°	33°	33°
Elevation Beamwidth (-3dB)	8.2°	7.2°	6.7°	5.8°	5.6°
Electrical Downtilt	2° to 10°	2° to 10°	2° to 10°	2° to 10°	2° to 10°
Elevation Sidelobes (1st Upper)	<-14 dB	<-14 dB	<-13 dB	<-14 dB	<-16 dB
Front-to-Back Ratio @180°	> 35 dB	> 35 dB	> 35 dB	> 35 dB	> 35 dB
Cross-Polar Discrimination at Peak	> 19 dB	> 18 dB	> 19 dB	> 19 dB	> 19 dB
Cross-Polar Port-to-Port Isolation	> 25 dB	> 25 dB	> 25 dB	> 25 dB	> 25 dB
Voltage Standing Wave Ratio (VSWR)	< 1.5:1	< 1.5:1	< 1.5:1	< 1.5:1	< 1.5:1
Passive Intermodulation (2x20W)	≤ -153 dBc	≤ -153 dBc	≤ -153 dBc	≤ -153 dBc	≤ -153 dBc
Input Power Continuous Wave (CW)	300 watts	300 watts	300 watts	300 watts	300 watts
Polarization	Dual Linear 45°	Dual Linear 45°	Dual Linear 45°	Dual Linear 45°	Dual Linear 45°
Input Impedance	50 ohms	50 ohms	50 ohms	50 ohms	50 ohms
Lightning Protection	DC Ground	DC Ground	DC Ground	DC Ground	DC Ground

BASTA Electrical Specifications					
Frequency Range	1695-1880 MHz	1850-1990 MHz	1920-2180 MHz	2300-2400 MHz	2496-2690 MHz
Gain over all Tilts (dBi)	17.0	17.7	18.0	18.6	18.1
Gain over all Tilts Tolerance (dB)	0.7	0.6	0.5	0.4	1.2
Gain at Low-Tilt (dBi)	16.9	17.6	17.9	18.6	18.4
Gain at Mid-Tilt (dBi)	17.0	17.7	18.1	18.7	18.3
Gain at High-Tilt (dBi)	17.0	17.8	18.1	18.5	17.5
Azimuth Beamwidth Tolerance (°)	5.4	4.0	3.4	1.8	3.9
Elevation Beamwidth Tolerance (°)	0.9	0.6	0.6	0.3	0.4
Electrical Downtilt Deviation (°)	0.8	0.6	0.6	0.5	0.7
First Upper Sidelobes Suppression (dB)	11.5	11.9	11.8	13.6	14.8
Upper Sidelobe Suppression Peak to 20°(dB)	11.6	11.8	11.7	13.6	15.6
Front-to-Back Ratio over ±20° (dB)	26.3	28.0	28.5	28.5	26.7
Cross-polar Discrimination at 3 dB (dB)	11.6	12.2	12.9	13.9	13.7

* Electrical specifications follow document "Recommendation on Base Station Antenna Standards" (BASTA) V11.1. All specifications are subject to change without notice.

Mechanical

Dimensions (LxWxD)	94.1x25.1x8.7 in (2389x638x220 mm)
Survival Wind Speed	> 150 mph (> 241 kph)
Front Wind Load	385 lbf @ 100 mph 1711 N @ 161 kph
Side Wind Load	76 lbf @ 100 mph 337 N @ 161 kph
Equivalent Flat Plate Area	15.3 ft ² (1.4 m ²)
Weight *	115.1 lbs (52.2 kg)
Connector	12 x 4.3-10 female
Mounting Pole	2 to 5 in (5 to 12 cm)

* Weight excludes mounting



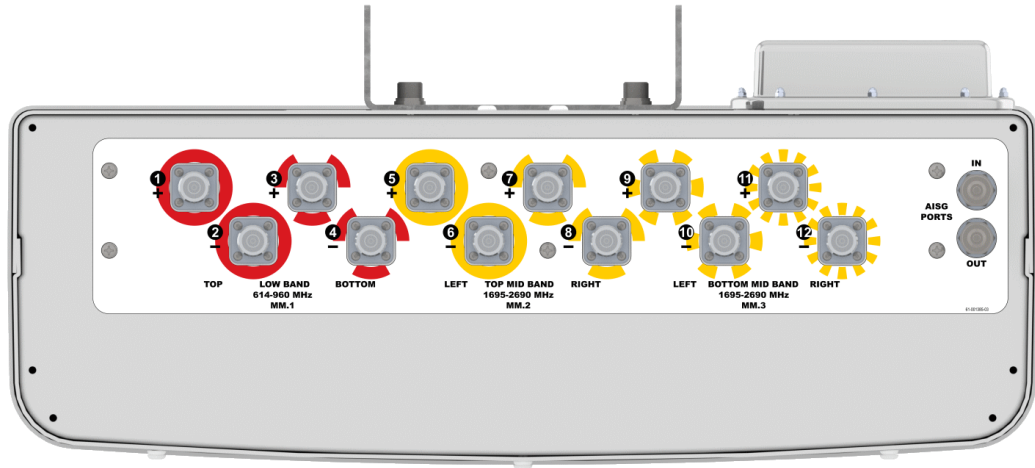
TriBand Twelve-Port Antenna

TPA33R-TE8C

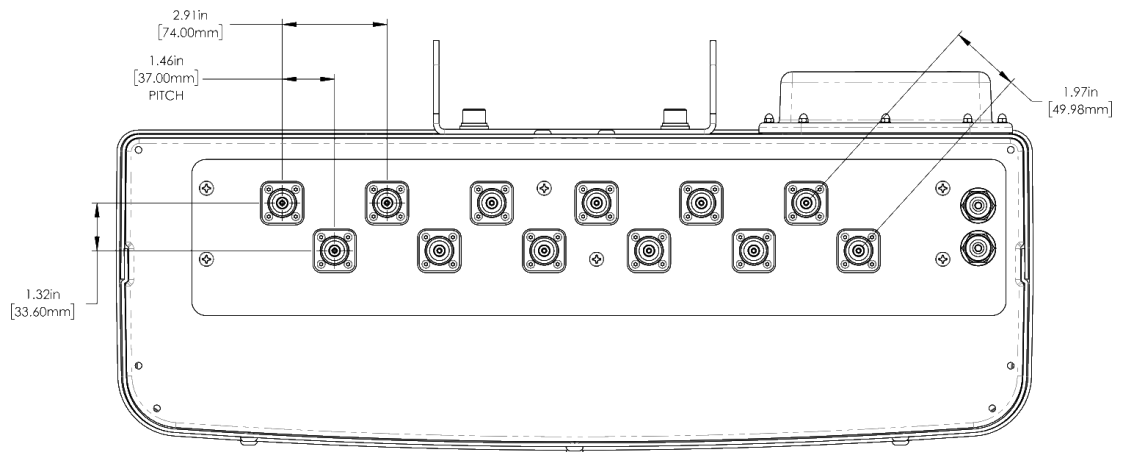
SPECIFICATIONS

Mechanical

Bottom View



Connector Spacing

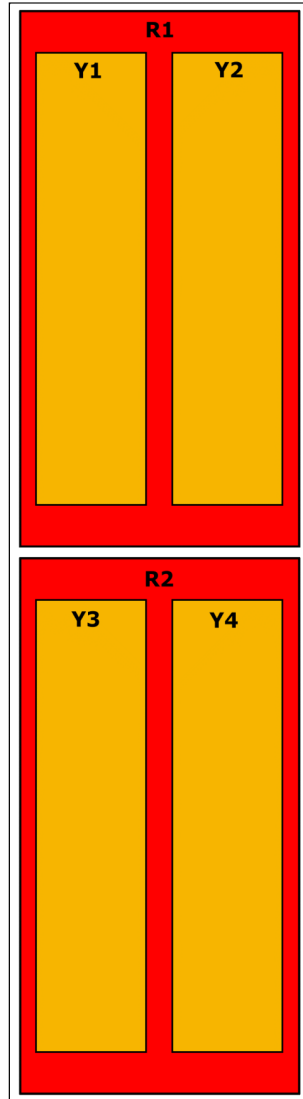


Mechanical

RET to Element Configuration

TPA33R-TE8CA Element and RET configuration (Type 17 Internal RET)

**Top of antenna
Viewed from rear**



**RET placement
as viewed from rear
of antenna**

Top of antenna



Array	Ports	Freq (MHz)	Ports controlled by common RET	AISG RET UID
R1	1, 2	614-960	1, 2, 3, 4	CIxxxxxxxMM.1
R2	3, 4	614-960		
Y1	5, 6	1695-2690	5, 6, 7, 8	CIxxxxxxxMM.2
Y2	7, 8	1695-2690		
Y3	9, 10	1695-2690	9, 10, 11, 12	CIxxxxxxxMM.3
Y4	11, 12	1695-2690		

Mechanical



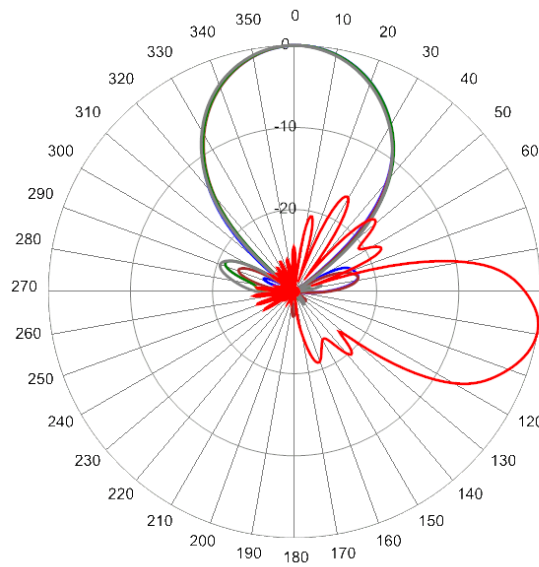
SPECIFICATIONS

TriBand Twelve-Port Antenna

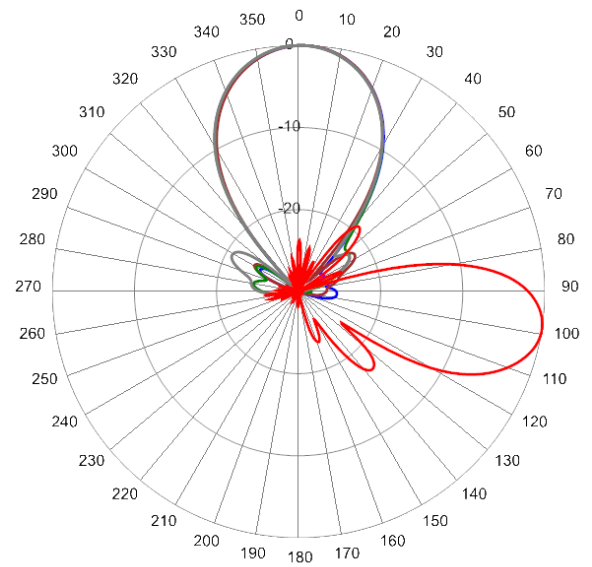
TPA33R-TE8C

Typical Antenna Patterns

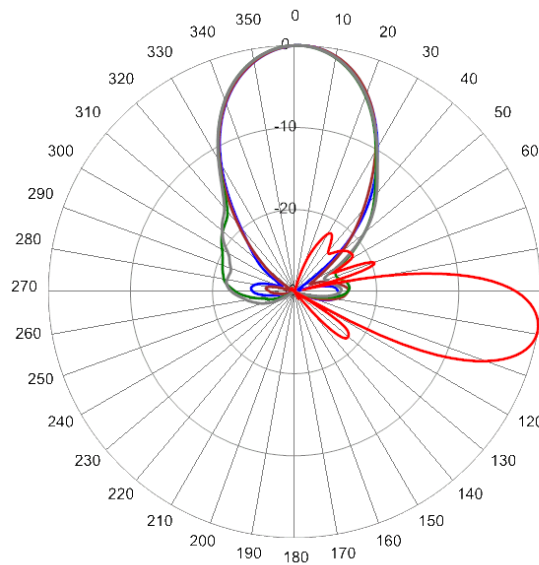
For detailed information on additional antenna patterns, contact customer support at support@cciproducts.com



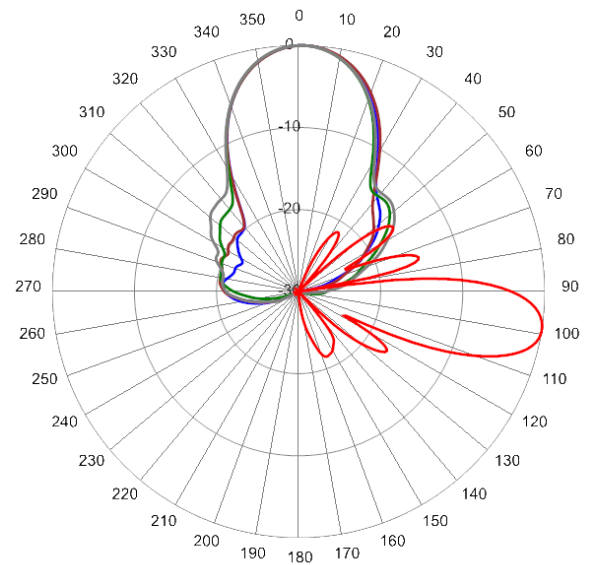
614 MHz Azimuth with Elevation 9°



698 MHz Azimuth with Elevation 9°



860 MHz Azimuth with Elevation 9°



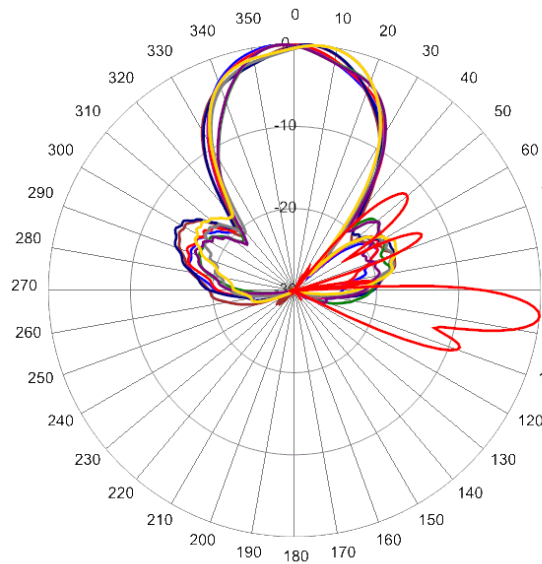
945 MHz Azimuth with Elevation 9°



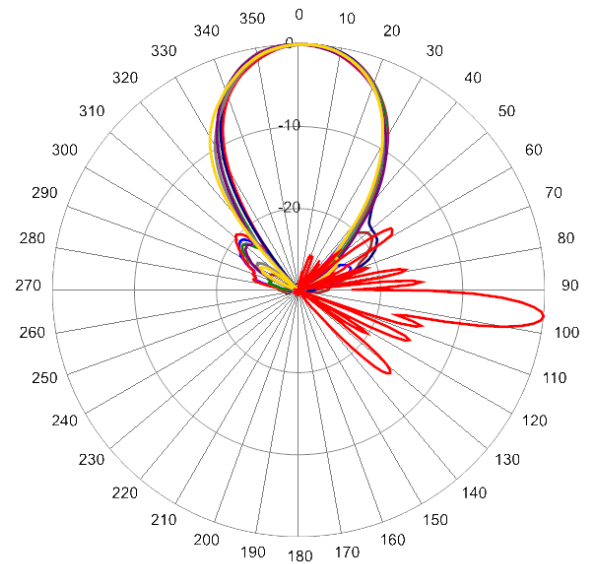
TriBand Twelve-Port Antenna

TPA33R-TE8C

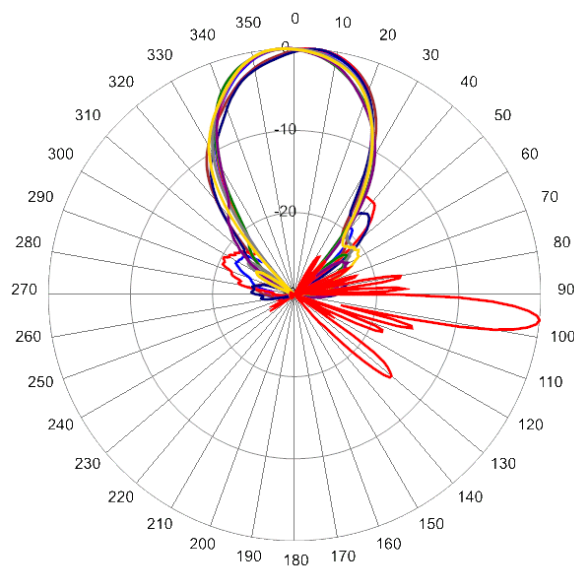
Typical Antenna Patterns



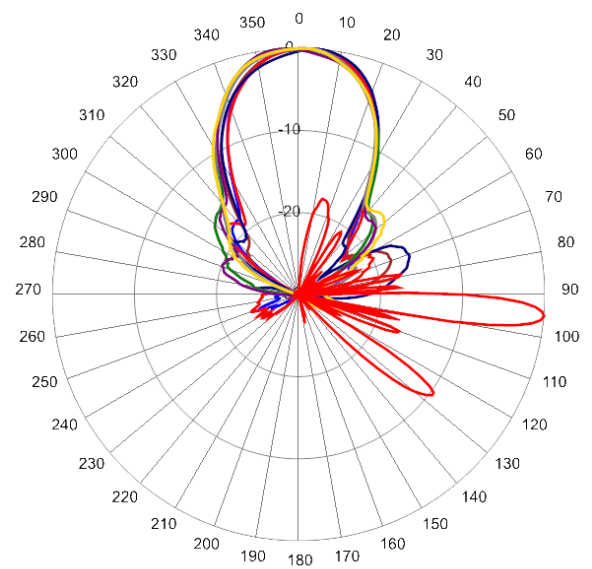
1720 MHz Azimuth with Elevation 6°



2140 MHz Azimuth with Elevation 6°



2305 MHz Azimuth with Elevation 6°



2440 MHz Azimuth with Elevation 6°



ORDERING

TriBand Twelve-Port Antenna

TPA33R-TE8C

Parts & Accessories

TPA33R-TE8CA-K	Eight foot (2.4 m) TriBand antenna with 33° azimuth beamwidth, 4.3-10 female connectors, 3 factory installed BSA-RET400 RET actuators and MBK-01 mounting bracket
MBK-01	MBK-01 Mounting Kit with 0° - 10° mechanical tilt
MBK-16	MBK-16 Mounting Kit with fixed 0° mechanical tilt
BSA-RET400	Type 17 Internal remote electrical tilt actuator
AISGC-M-F-10FT	10 Ft (3 m) Male/Female RRU to Antenna AISG cable

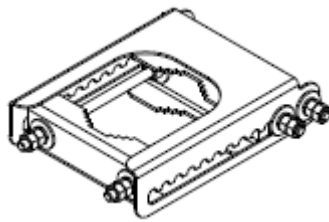


Mounting Bracket Kit

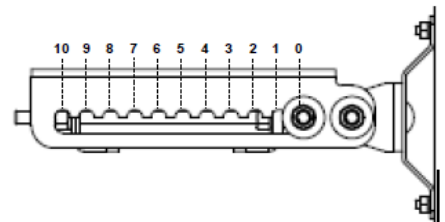
MBK-01

Mechanical

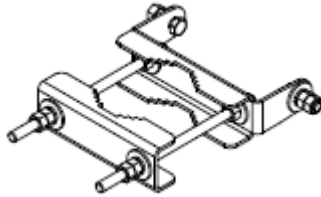
Weight	12.6 lbs (5.7 kg)
Hinge Pitch	47.25 in (1200 mm)
Mounting Pole Dimension	2 to 5 in (5 to 12 cm)
Fastener Size	M12
Installation Torque	40 ft·lb (54 N·m)
Mechanical Tilt Adjustment	0° - 10°



MBK-01 Top Adjustable Bracket



MBK-01 Top Adjustable Bracket Side View



MBK-01 Bottom Fixed Bracket

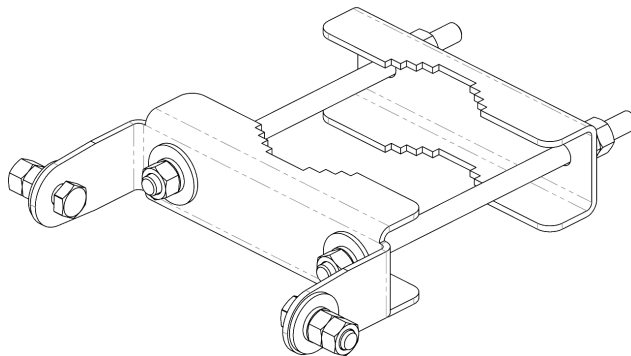
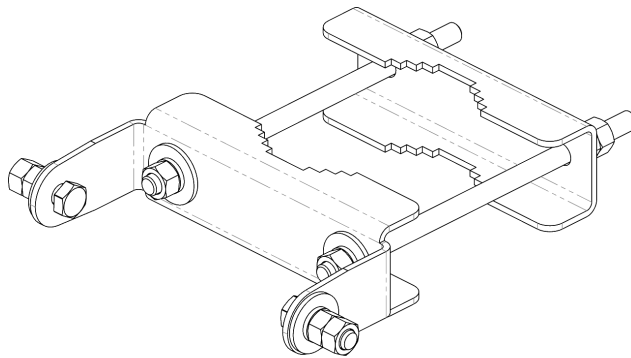


Mounting Bracket Kit

MBK-16

Mechanical

Weight	9.9 lbs (4.5 kg)
Hinge Pitch	47.25 in (1200 mm)
Mounting Pole Dimension	2 to 5 in (5 to 12 cm)
Fastener Size	M12
Installation Torque	40 ft·lbs (54 N·m)
Mechanical Tilt	0°



MBK-16 Top and Bottom Bracket



Internal Remote Electrical Tilt (iRET)

BSA-RET400

General Specifications

Part Number	BSA-RET400
Protocols	AISG 2.0
RET Type	Type 17
Adjustment Cycles	>10,000 cycles
Tilt Accuracy	±0.1°
Temperature Range	-40° C to 70° C

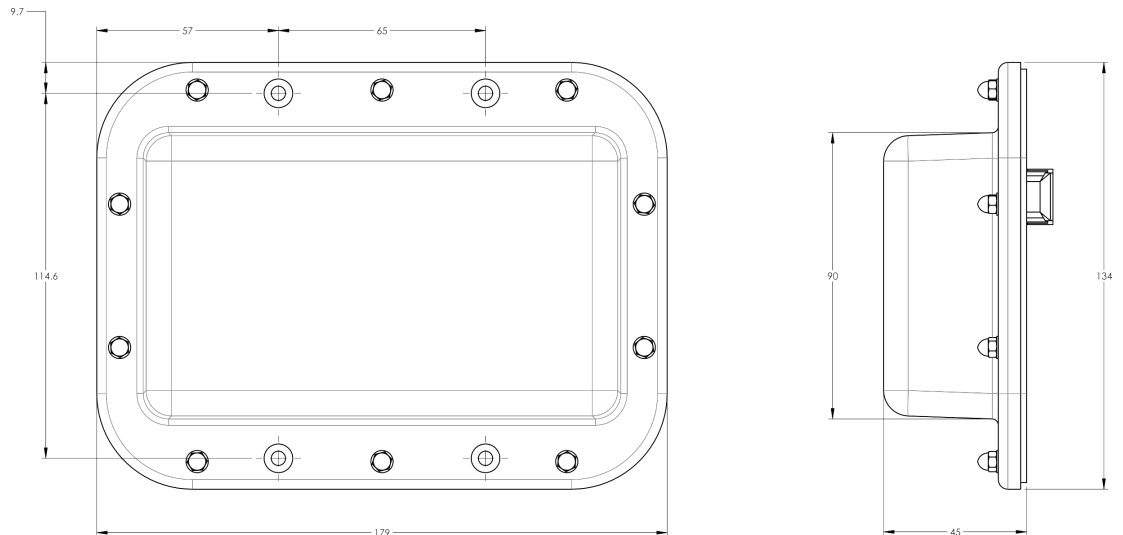
Electrical

Data Interface Signal	DC
Input Voltage	10-30 Vdc
Current Consumption Tilt	100 mA at $V_{in}=24$ (500 mA MAX)
Current Consumption Idle	10 mA at $V_{in}=24$

Mechanical

Dimensions (LxWxD)	7.0x5.3x1.8 in. (179x134x45 mm)
Housing	ASA/ABS/Aluminum
Weight	1.3 lbs (0.6 kg)

ASA= Acrylic Styrene Acrylonitrile
ABS=Acrylonitrile Butadiene Styrene





AISG Cable

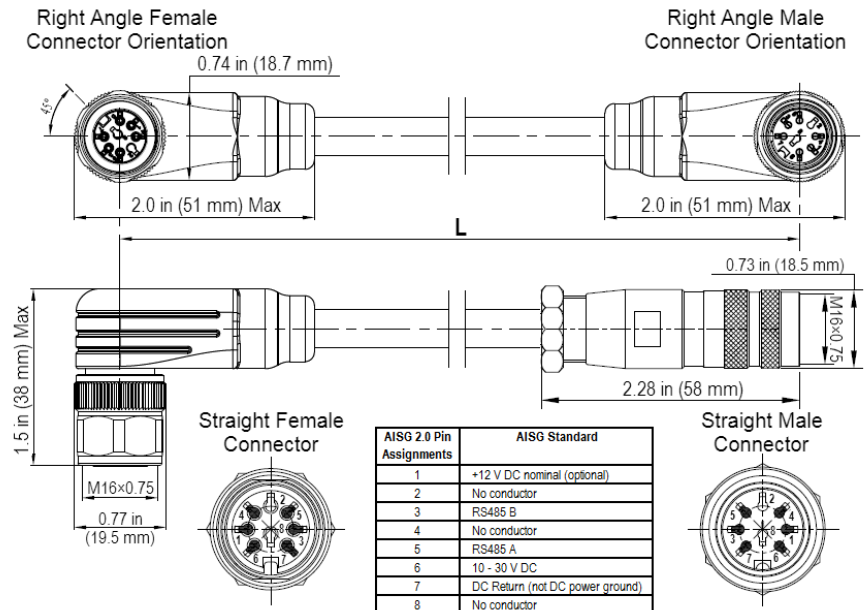
AISGC-M-F-xFT

Electrical Specifications

Individual Cable Part Number	AISGC-M-F-x(FT)
Cable style	UL2464
Protocol	AISG 1.1 and AISG 2.0
Maximum voltage	300 V
Rated current	5 A at 104° F (40° C)

Mechanical Specifications

Individual Cable Part Number	AISGC-M-F-x(FT)
Cables per kit	1
Connectors	2 x 8 pin IEC 60130-9 Straight male/straight female
Tightening torque	Hand tighten only \approx 1.84 ft-lbs (2.5 Nm)
Construction	Shielded (Tinned Copper Braid)
Braid coverage	85%
Jacket Material	Matte Polyurethane (Black)
Conductors	1 twisted pair - 24 AWG 3 conductors - 19 AWG AWM style 2464
Cable Diameter	0.307 in (7.8 mm)
Length	See order details
Minimum bend radius	3.15 in (80 mm)



AISG-Male to AISG-Female Jumper Cable



Environmental Specifications

Individual Cable Part Number	AISGC-M-F-xFT
Temperature Range	-40° to 80° C
Flammability	UL 1581 VW-1
Ingress Protection	IEC 60529:2001, IP67



STANDARDS & CERTIFICATIONS

TriBand Twelve-Port Antenna

TPA33R-TE8C

Standards & Compliance

Safety	EN 60950-1, UL 60950-1
Emission	EN 55022
Immunity	EN 55024
Environmental	IEC 60068-2-1, IEC 60068-2-2, IEC 60068-2-5, IEC 60068-2-6, IEC-60068-2-11, IEC 60068-2-14, IEC 60068-2-18, IEC 60068-2-27, IEC 60068-2-29, IEC 60068-02-30, IEC 60068-2-52, IEC 60068-2-64, GR-63-CORE 4.3.1, EN 60529, IP 24

Certifications

Antenna Interface Standards Group (AISG), Federal Communication Commission (FCC) Part 15 Class B, CE, CSA US, ISO 9001

