



# Antennas

DATA SHEET

Radio Interconnect Tool

TL-04



- Used to assist installation and removal of the Nokia Radios on OPA65R-BW4A antenna
- RoHS Compliant

Overview

Lever used to assist the mounting of a Nokia radio to the OPA65R-BW4A antenna



# Antennas

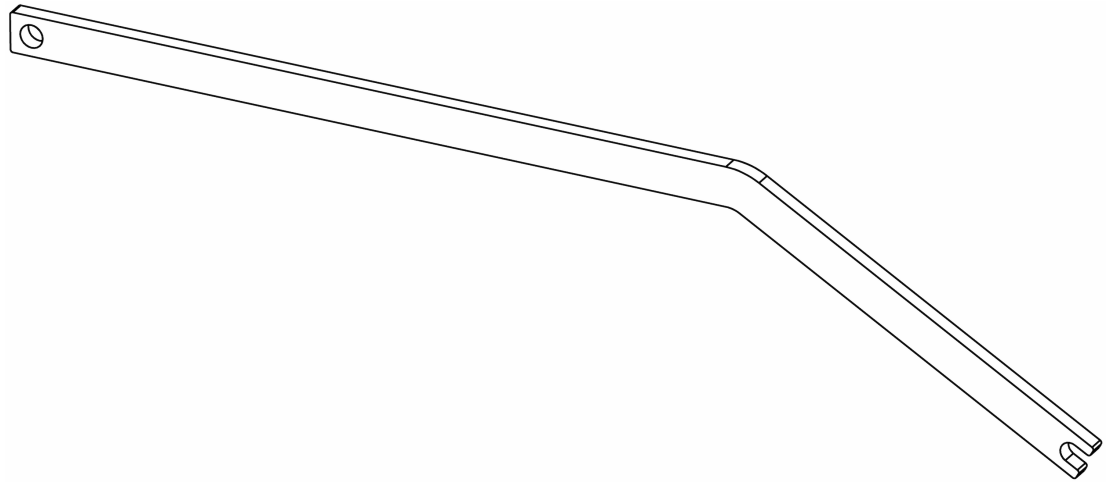
## SPECIFICATIONS

### Radio Interconnect Tool

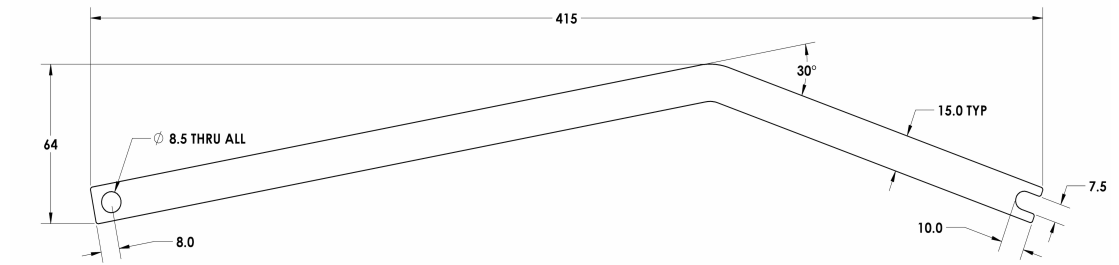
TL-04

#### Mechanical

Model Number	TL-04
For Antenna Models	OPA65R-BW4A
Dimensions (LxWxD)	16.3x0.6x0.2 in (415x15x6 mm)
Overall Weight	0.68 lbs. (0.3 kg)



TL-04



TL-04 Size

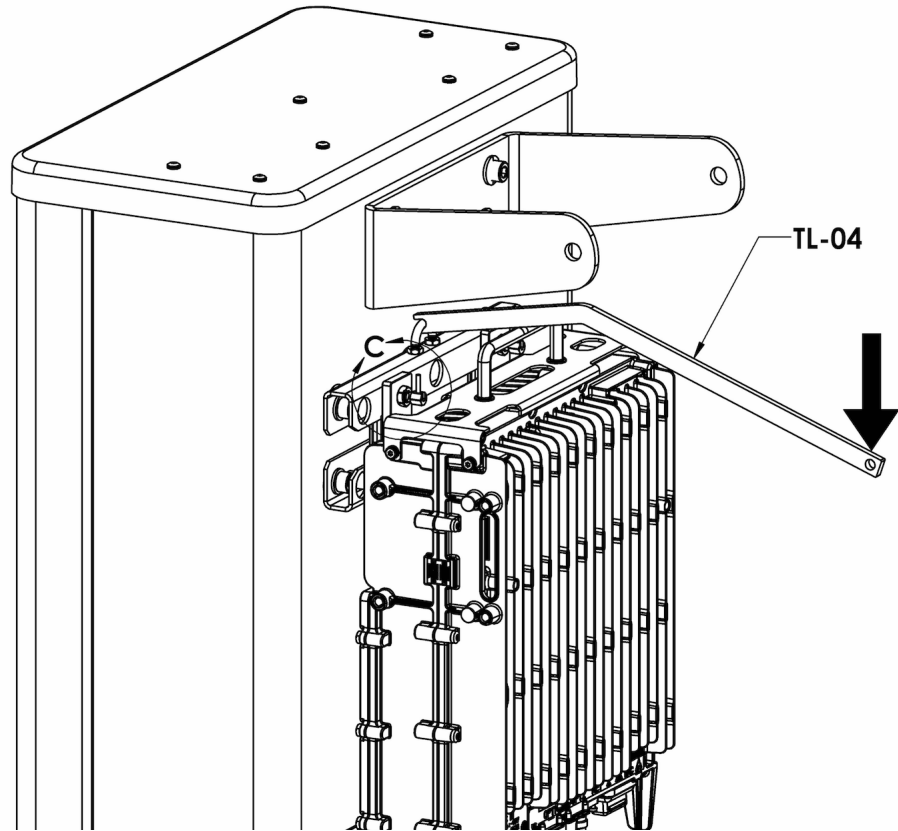


# Antennas

SPECIFICATIONS

Radio Interconnect Tool

TL-04



TL-04 inserted to assist radio installation



# Antennas

STANDARDS &  
CERTIFICATIONS

Radio Interconnect Tool

TL-04

Parts\Ordering

Model Number	TL-04
Overall Weight	0.68 lbs (0.3 kg)