



# Antennas

## Site Control Unit

SCU-AISG2-P

DATA SHEET



CCI's Portable AISG 2.0 Site Control Unit (SCU) is part of our suite of antenna products. This portable controller will enable operation of an AISG 1.1 or AISG 2.0 compliant device such as TMA's or antennas with RETs. The Remote Tilt Antenna function enables optimization (tilts) of the sector coverage pattern. The SCU interfaces directly with the CCI Tilt Actuator mounted at the Antenna via coax. No home run or additional cable is required. The continuous adjustment capability allows changes to the BTS coverage to suit network optimization, changing traffic patterns or seasonal changes such as foliage absorption.

The Portable SCU can be controlled by a Laptop PC (with Driver and Software Application loaded from a CD-ROM) and is accessed via a USB 2.0 port. Additionally, the Portable SCU Supports AISG Device Software Download to the RET/TMA Device (via .bin or .hex file types).

### Technical Description

The Portable Site Control Unit (SCU) when paired with remote actuators from CCI allows a retrofit to existing Manual Tilt Antennas. The unit provides one RS485 fully AISG and 3GPP compliant control output. The SCU is controlled by Laptop PC via a USB 2.0 port. The SCU is portable, designed for Indoor environments and runs off 24VDC. The unit is fully lightning protected. The SCU when used in conjunction with CCI Remote Electrical Tilt Actuators seamlessly integrates with the carriers existing BTS equipment to achieve the desired performance results.



# Antennas

## Site Control Unit

SCU-AISG2-P

### SPECIFICATIONS

#### Electrical Specifications

<b>Input Voltage</b>	+24 VDC
<b>Input current</b>	1.75 A DC
<b>Output Voltage</b>	+12 VDC or +24 VDC (Software Selectable - AISG Compliant)
<b>Output Current Nominal</b>	≤ 2.0A DC @ 12 VDC; = 1.75A DC @ 24 VDC
<b>Max number of AISG devices</b>	24 <sup>1</sup> 12 <sup>2</sup>
<b>User Interface</b>	Driver and Application Software installed from CD-ROM to PC; access through USB Port
<b>Interface to AISG Equipment</b>	RS 485 AISG 1.1, 2.0 compatible
<b>Software Download</b>	Supports AISG Device Software Download to the RET/TMA Device(via .bin or .hex file types)

<sup>1</sup> The maximum number of devices (RET/TMA) connected may vary depending on the length of AISG Cable and the power consumption of each AISG device.

<sup>2</sup> The maximum number of RET Actuators connected when daisy chained and being used with BSA's (Bi-Sector Arrays) may vary depending on the length of AISG Cable and the power consumption of each AISG device.

#### Indicators

<b>Power Status Indicator</b>	RED LED
<b>12V Indicator</b>	RED LED
<b>TX Data Indicator</b>	YELLOW LED
<b>RX Data Indicator</b>	YELLOW LED

#### Mechanical

<b>AISG Connector</b>	Female 8 pin circular conn. per IEC60130-9 Ed. 3.0 w/screw ring locking
<b>Number of AISG Ports</b>	1 (RS485 port)
<b>LAN Connectors</b>	1 x Ethernet (RJ-45)
<b>High Speed Serial Data Connector</b>	USB 2.0 x 1
<b>DC Input Connector</b>	2.0 mm DC Power Jack
<b>Dimensions (WxHxD)</b>	1.85x1.38x4.9 in.(47x35x125 mm)
<b>Weight</b>	1.1 lbs. (0.5 kg)
<b>Shipping Dimensions (WxHxD)</b>	10.0x7.0x2.0 in.(254x178x51 mm)
<b>Shipping Weight</b>	1.3 lbs. (0.6 kg)

#### Environmental

<b>Temperature range</b>	0° to +131°F (0° to +55°C)
<b>Protection Class</b>	IP20 Minimum



# Antennas

SPECIFICATIONS

Site Control Unit

SCU-AISG2-P



CCI Portable SCU Front View



CCI Portable SCU Rear View



# Antennas

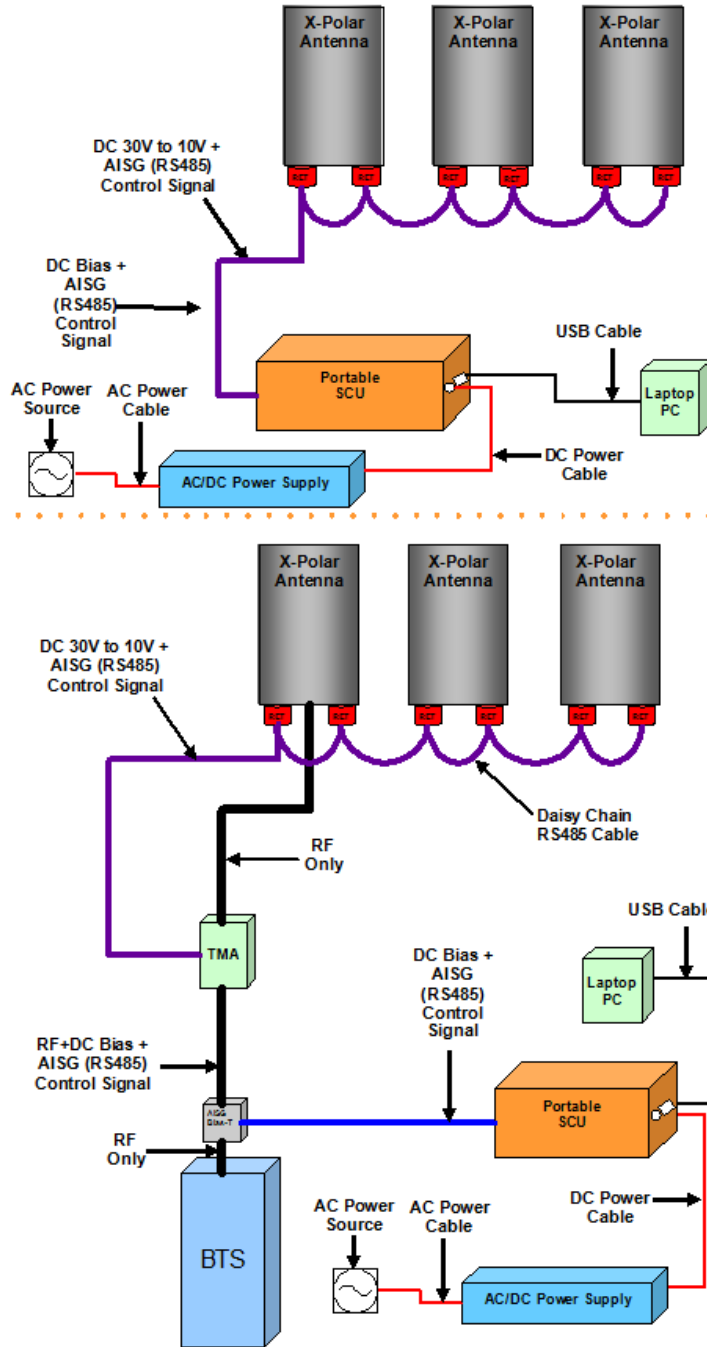
SPECIFICATIONS

Site Control Unit

SCU-AISG2-P

Block Diagram

## AISG 2.0 SCU Example Application





# Antennas

## STANDARDS & CERTIFICATIONS

Site Control Unit

SCU-AISG2-P

### Parts & Accessories

Part Number SCU-AISG2-P

Overall Weight 1.3 lbs (0.6 kg)

### Certifications

Antenna Interface Standards Group (AISG), Federal Communication Commission (FCC) Part 15 Class B, CE, CSA US

