

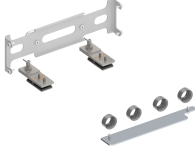


Antennas

DATA SHEET

RM-07 Radio Interconnect Kit

RM-07



- Interconnect system for Nokia Band 28 Radios
- RoHS Compliant

Overview

Mechanical interface removes the need for RF cable jumpers between radios and antenna.



Antennas

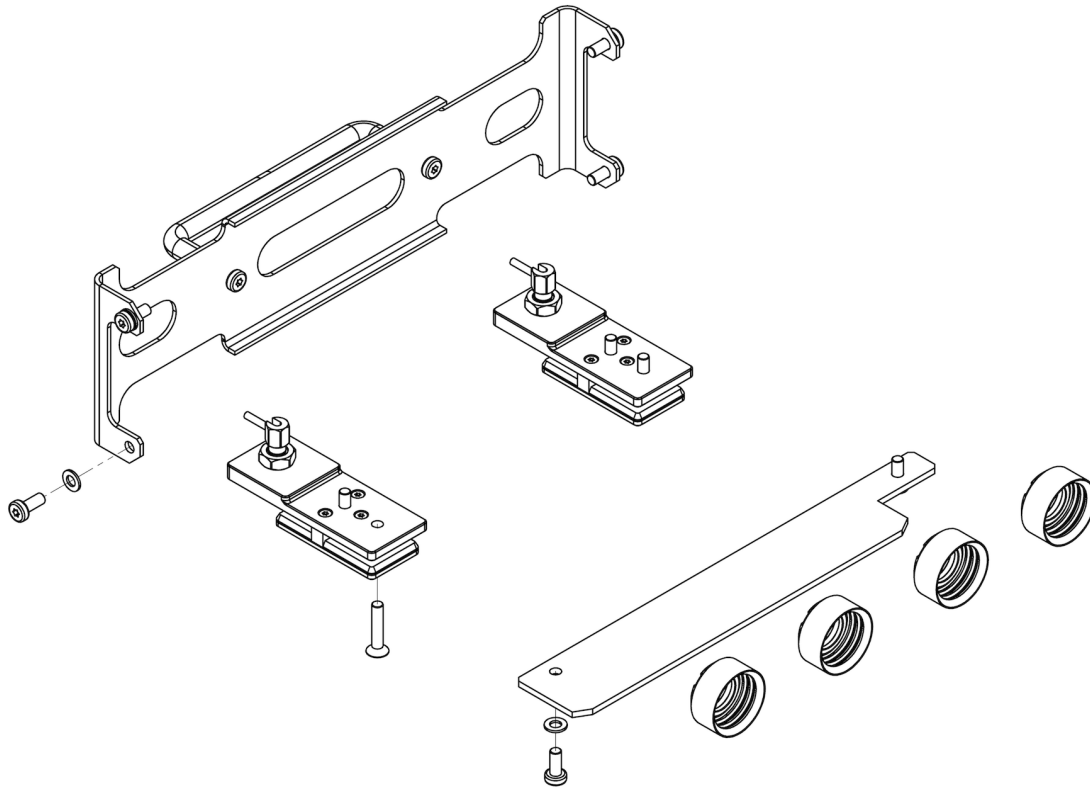
SPECIFICATIONS

RM-07 Radio Interconnect Kit

RM-07

Mechanical Specifications

Model Number	RM-07
Fits Radio	Nokia ANPC RRH - Band 28
For Antenna Model	QPA65R-B4AA
Overall Weight RM-07	2.2 lbs. (1.0 kg) not including radio



RM-07

Environmental Specifications

Model Number	RM-07
Temperature Range	-45° to 70° C



Antennas

ORDERING

RM-07 Radio Interconnect Kit

RM-07

Parts

Model Number RM-07

Overall Weight 2.2 lbs (1.0 kg) not including radio