

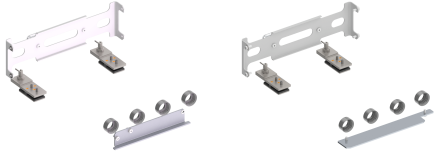


Antennas

DATA SHEET

RM-06/RM-07 Radio Interconnect Kits

RM-06/RM-07



- Interconnect systems for Nokia Band 28 and Band 3 Radios
- RoHS Compliant

Overview

Mechanical interface removes the need for RF cable jumpers between radios and antenna.



Antennas

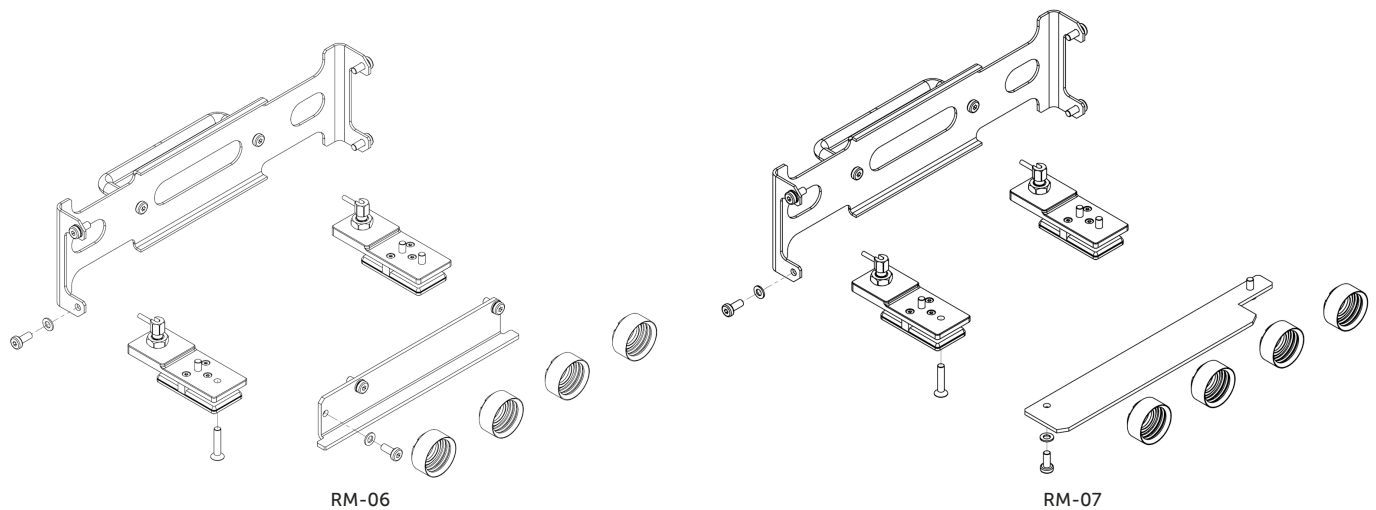
SPECIFICATIONS

RM-06/RM-07 Radio Interconnect Kits

RM-06/RM-07

Mechanical Specifications

| | |
|-----------------------------------|---|
| Model Number | RM-06 |
| Fits Radio | Nokia ANEB RRH / ANEH RRH - Band 3 |
| Model Number | RM-07 |
| Fits Radio | Nokia ANPC RRH - Band 28 |
| For Antenna Model | OPA65R-BW4AA |
| Overall Weight RM-06/RM-07 | 4.22 lbs. (1.91 kg) not including radio |



Environmental Specifications

| | |
|--------------------------|---------------|
| Model Number | RM-06/RM-07 |
| Temperature Range | -45° to 70° C |



Antennas

ORDERING

RM-06/RM-07 Radio Interconnect Kits

RM-06/RM-07

Parts

Model Number RM-06/RM-07

Overall Weight 4.22 lbs (1.91 kg) not including radio