



- Six foot (1.8 m) DualBand, eight port antenna with a 33° azimuth beamwidth covering 698-896 MHz and 1695-2180 MHz frequencies
- Four wide mid band ports covering 1695-2180 MHz and four wide low band ports covering 698-896 MHz in a single antenna enclosure
- Full Spectrum Compliance 698-896 MHz / 1695-2180 MHz
- Innovative Low and Mid Band Array configuration allows for 4T4R (4x4 MIMO) on Low Band and 4T4R (4x4 MIMO) Mid Band Arrays
- LTE Optimized FBR and SPR performance, providing for an efficient use of valuable radio capacity
- LTE Optimized Boresight and Sector XPD and USL performance, essential for LTE Performance
- Exceeds minimum PIM performance requirements
- Equipped with new 4.3-10 connectors, which are 40% smaller than traditional 7/16 DIN connectors
- Equipped with 2 field replaceable, integrated AISG 2.0 compliant Remote Electrical Tilt (RET) Controllers (Type 17 Internal)

### Overview

The CCI OctoPort DualBand array is an eight port antenna, with four wide mid band ports covering 1695-2180 MHz and four wide low band ports covering 698-896 MHz. The antenna provides the capability to deploy 4x4 Multiple-input Multiple-output (MIMO) in the mid band and 4X4 MIMO across low band ports.

In this two RET configuration, the 1st RET is dedicated for the four Low Band ports. The 2nd RET is dedicated for the four Mid Band ports.

CCI antennas are designed and produced to ISO 9001 certification standards for reliability and quality in our state-of-the-art manufacturing facilities.

### Applications

- 4x4 MIMO for the Mid Band and 4X4 MIMO Low Band ports
- Ready for Network Standardization on 4.3-10 DIN connectors
- With CCI's DualBand antennas, wireless providers can connect multiple platforms to a single antenna, reducing tower load, lease expense, deployment time and installation costs



SPECIFICATIONS

DualBand Eight-Port Antenna

OPA33R-BW6C

Electrical

Ports	4 x Low Band Ports for 698-896 MHz		
Frequency Range	698-806 MHz	790-862 MHz	824-896 MHz
Gain	14.8 dBi	15.2 dBi	15.3 dBi
Azimuth Beamwidth (-3dB)	35°	33°	31°
Elevation Beamwidth (-3dB)	26.4°	23.8°	22.2°
Electrical Downtilt	2° to 16°	2° to 16°	2° to 16°
Elevation Sidelobes (1st Upper)	<-20 dB	<-18 dB	<-19 dB
Front-to-Back Ratio @180°	> 33 dB	> 35 dB	> 35 dB
Front-to-Back Ratio @±20°	> 33 dB	> 34 dB	> 33 dB
Cross-Polar Discrimination at Peak	> 25 dB	> 25 dB	> 25 dB
Cross-Polar Port-to-Port Isolation	> 25 dB	> 25 dB	> 25 dB
Voltage Standing Wave Ratio (VSWR)	< 1.5:1	< 1.5:1	< 1.5:1
Passive Intermodulation (2x20W)	≤ -153 dBc	≤ -153 dBc	≤ -153 dBc
Input Power Continuous Wave (CW)	500 watts	500 watts	500 watts
Polarization	Dual Linear 45°	Dual Linear 45°	Dual Linear 45°
Input Impedance	50 ohms	50 ohms	50 ohms
Lightning Protection	DC Ground	DC Ground	DC Ground

BASTA Electrical Specifications			
Frequency Range	698-806 MHz	790-862 MHz	824-896 MHz
Gain over all Tilts (dBi)	14.1	14.6	14.8
Gain over all Tilts Tolerance (dB)	0.5	0.4	0.5
Gain at Low-Tilt (dBi)	14.2	14.7	14.9
Gain at Mid-Tilt (dBi)	13.9	14.4	14.6
Gain at High-Tilt (dBi)	14.1	14.7	14.9
Azimuth Beamwidth Tolerance (°)	0.9	1.5	2.7
Elevation Beamwidth Tolerance (°)	2.6	1.8	2.6
Electrical Downtilt Deviation (°)	1.2	1.4	1.8
First Upper Sidelobe Suppression (dB)	17.0	16.1	15.8
Upper Sidelobe Suppression Peak to 20°(dB)	20.0	20.0	20.0
Front-to-Back Ratio over ±20° (dB)	25.1	27.5	26.5
Cross-polar Discrimination at 3 dB (dB)	22.2	21.8	15.4

\* Electrical specifications follow document "Recommendation on Base Station Antenna Standards" (BASTA) V11.1.  
All specifications are subject to change without notice.



SPECIFICATIONS

DualBand Eight-Port Antenna

OPA33R-BW6C

Electrical

Ports	4 x Mid Band Ports for 1695-2400 MHz		
Frequency Range	1695-1880 MHz	1850-1990 MHz	1920-2180 MHz
Gain	19.7 dBi	20.2 dBi	20.3 dBi
Azimuth Beamwidth (-3dB)	37°	35°	35°
Elevation Beamwidth (-3dB)	5.3°	4.9°	4.5°
Electrical Downtilt	2° to 10°	2° to 10°	2° to 10°
Elevation Sidelobes (1st Upper)	<-15 dB	<-15 dB	<-14 dB
Front-to-Back Ratio @180°	> 35 dB	> 35 dB	> 35 dB
Front-to-Back Ratio @±20°	> 33 dB	> 33 dB	> 34 dB
Cross-Polar Discrimination at Peak	> 19 dB	> 17 dB	> 18 dB
Cross-Polar Port-to-Port Isolation	> 25 dB	> 25 dB	> 25 dB
Voltage Standing Wave Ratio (VSWR)	< 1.5:1	< 1.5:1	< 1.5:1
Passive Intermodulation (2x20W)	≤ -153 dBc	≤ -153 dBc	≤ -153 dBc
Input Power Continuous Wave (CW)	300 watts	300 watts	300 watts
Polarization	Dual Linear 45°	Dual Linear 45°	Dual Linear 45°
Input Impedance	50 ohms	50 ohms	50 ohms
Lightning Protection	DC Ground	DC Ground	DC Ground

BASTA Electrical Specifications	1695-1880 MHz	1850-1990 MHz	1920-2180 MHz
Frequency Range	1695-1880 MHz	1850-1990 MHz	1920-2180 MHz
Gain over all Tilts (dBi)	18.6	19.3	19.6
Gain over all Tilts Tolerance (dB)	0.9	0.5	0.5
Gain at Low-Tilt (dBi)	18.6	19.2	19.5
Gain at Mid-Tilt (dBi)	18.7	19.4	19.8
Gain at High-Tilt (dBi)	18.5	19.3	19.5
Azimuth Beamwidth Tolerance (°)	3.6	3.5	2.9
Elevation Beamwidth Tolerance (°)	0.5	0.3	0.4
Electrical Downtilt Deviation (°)	0.9	0.9	1.0
First Upper Sidelobes Suppression (dB)	11.7	13.5	12.4
Upper Sidelobe Suppression Peak to 20°(dB)	12.2	14.6	12.7
Front-to-Back Ratio over ±20° (dB)	28.2	29.3	29.7
Cross-polar Discrimination at ±60° (dB)	12.8	11.8	12.8

\* Electrical specifications follow document "Recommendation on Base Station Antenna Standards" (BASTA) V11.1. All specifications are subject to change without notice.



SPECIFICATIONS

DualBand Eight-Port Antenna

OPA33R-BW6C

Mechanical

<b>Dimensions (LxWxD)</b>	72.0x25.2x8.7 in (1829x641x220 mm)
<b>Survival Wind Speed</b>	> 150 mph (> 241 kph)
<b>Front Wind Load<sup>1</sup></b>	320 lbf @ 100 mph    1425 N @ 161 kph
<b>Side Wind Load<sup>1</sup></b>	52 lbf @ 100 mph    231 N @ 161 kph
<b>Effective Projective Area (EPA), Front<sup>1</sup></b>	12.9 ft <sup>2</sup> (1.2 m <sup>2</sup> )
<b>Weight *</b>	87.2 lbs (39.5 kg)
<b>RF Connector</b>	8 x 4.3-10 female
<b>Mounting Pole</b>	2 to 5 in (5 to 12 cm)

<sup>1</sup>Windload values calculated using CFD analysis  
\* Weight excludes mounting



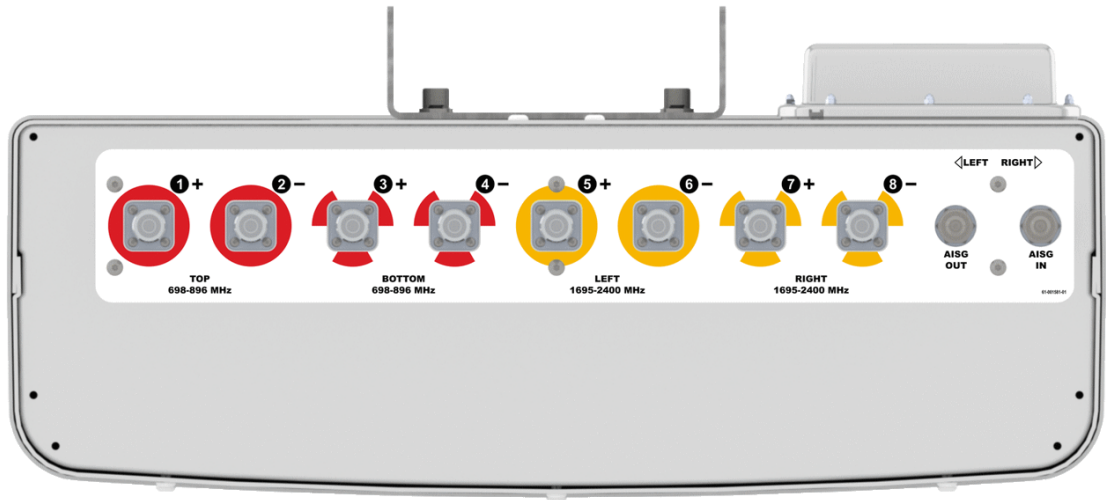
SPECIFICATIONS

DualBand Eight-Port Antenna

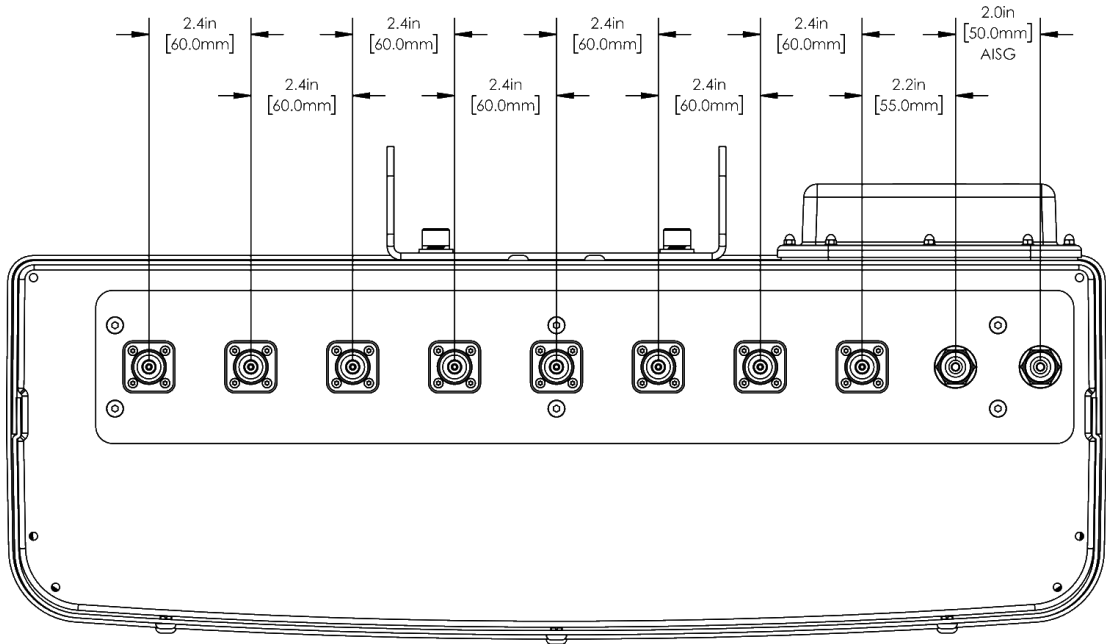
OPA33R-BW6C

Mechanical

Bottom View



Connector Spacing



SPECIFICATIONS

DualBand Eight-Port Antenna

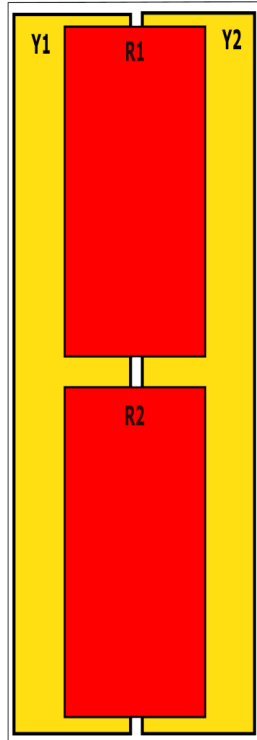
OPA33R-BW6C

Mechanical

RET to Element Configuration

OPA33R-BW6C Element and RET configuration (Type 17 Internal RET)

**Top of antenna  
Viewed from rear**



Mechanical

**RET placement  
as viewed from rear  
of antenna**

Top of antenna



Array	Ports	Freq (MHz)	Ports controlled by common RET	AISG RET UID
R1	1, 2	698-896	1, 2, 3, 4	ClxxxxxMM.1
R2	3, 4	698-896		
Y1	5, 6	1695-2400	5, 6, 7, 8	ClxxxxxMM.2
Y2	7, 8	1695-2400		

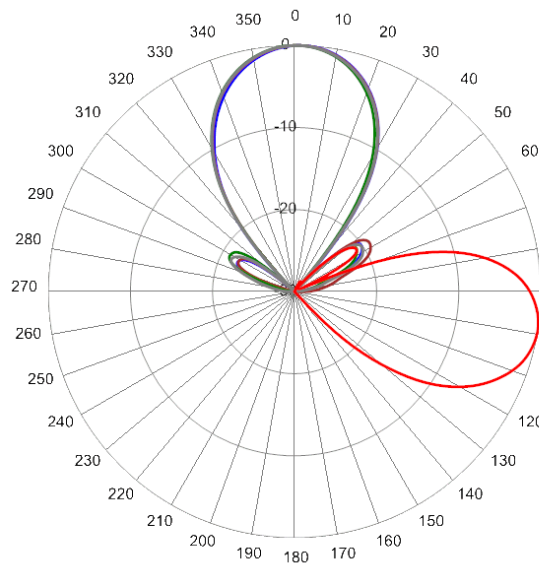


DualBand Eight-Port Antenna

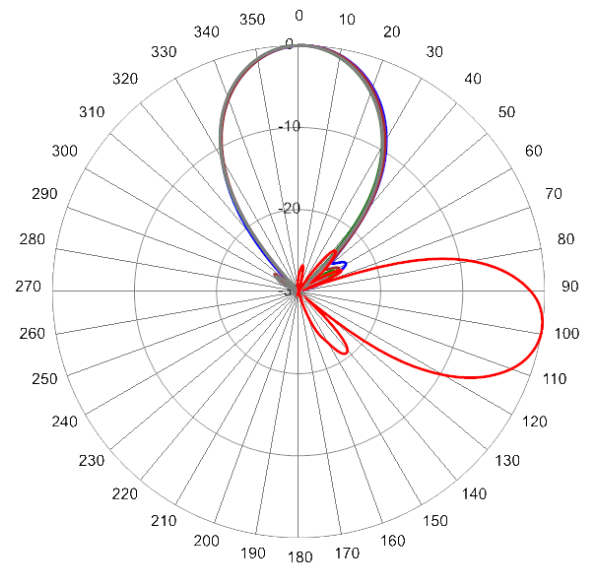
OPA33R-BW6C

Typical Antenna Patterns

For detailed information on additional antenna patterns, contact customer support at support@cciproducts.com

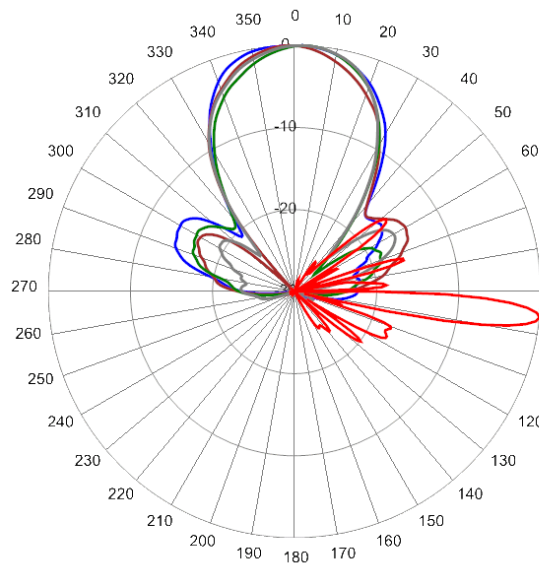


725 MHz Azimuth with Elevation 9°

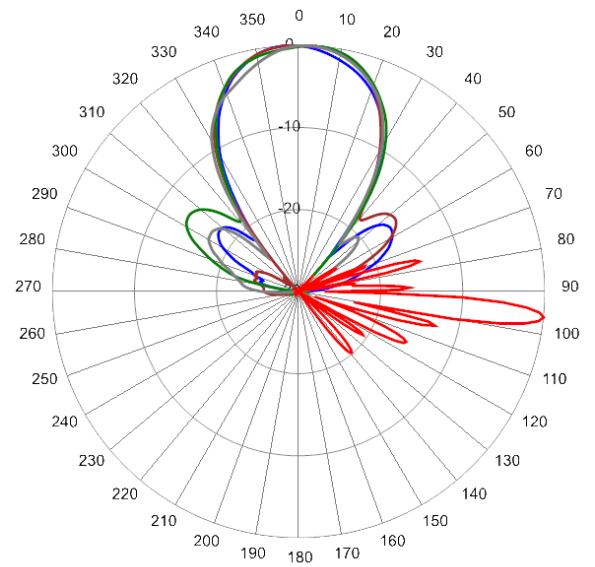


824 MHz Azimuth with Elevation 9°

Typical Antenna Patterns



1825 MHz Azimuth with Elevation 6°



2010 MHz Azimuth with Elevation 6°



## DualBand Eight-Port Antenna

OPA33R-BW6C

### Parts & Accessories

<b>OPA33R-BW6CB-K</b>	Six foot (1.8 m) DualBand antenna with 33° azimuth beamwidth, 4.3-10 female connectors, 2 factory installed BSA-RET400 RET actuators and MBK-01 mounting bracket
<b>MBK-01</b>	Mounting bracket kit (top and bottom) with 0° to 10° mechanical tilt adjustment
<b>MBK-16</b>	Mounting bracket kit (top and bottom) with fixed 0° mechanical tilt
<b>BSA-RET400</b>	Type 17 Internal Remote Electrical Tilt System (RET)
<b>AISGC-M-F-10FT</b>	10 Foot (3 M) Male/Female AISG cable
<b>SCU-AISG-P</b>	Portable AISG 2.0 Site Control Unit



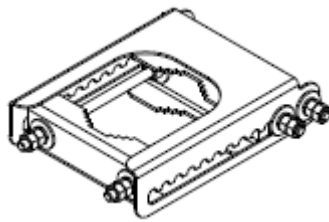


Mounting Bracket Kit

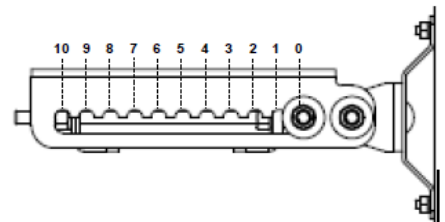
MBK-01

Mechanical

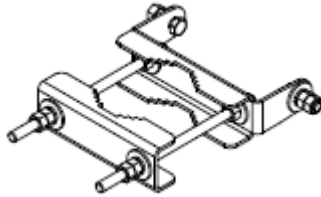
<b>Weight</b>	12.6 lbs (5.7 kg)
<b>Hinge Pitch</b>	47.25 in (1200 mm)
<b>Mounting Pole Dimension</b>	2 to 5 in (5 to 12 cm)
<b>Fastener Size</b>	M12
<b>Installation Torque</b>	40 ft·lb (54 N·m)
<b>Mechanical Tilt Adjustment</b>	0° - 10°



MBK-01 Top Adjustable Bracket



MBK-01 Top Adjustable Bracket Side View



MBK-01 Bottom Fixed Bracket

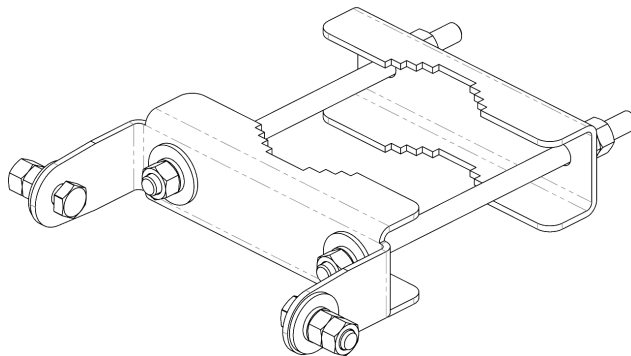
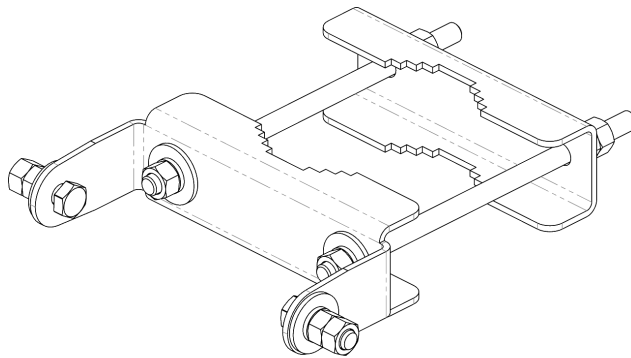


Mounting Bracket Kit

MBK-16

Mechanical

<b>Weight</b>	9.9 lbs (4.5 kg)
<b>Hinge Pitch</b>	47.25 in (1200 mm)
<b>Mounting Pole Dimension</b>	2 to 5 in (5 to 12 cm)
<b>Fastener Size</b>	M12
<b>Installation Torque</b>	40 ft·lbs (54 N·m)
<b>Mechanical Tilt</b>	0°



MBK-16 Top and Bottom Bracket



### Internal Remote Electrical Tilt (iRET)

BSA-RET400

#### General Specifications

Part Number	BSA-RET400
Protocols	AISG 2.0
RET Type	Type 17
Adjustment Cycles	>10,000 cycles
Tilt Accuracy	±0.1°
Temperature Range	-40° C to 70° C

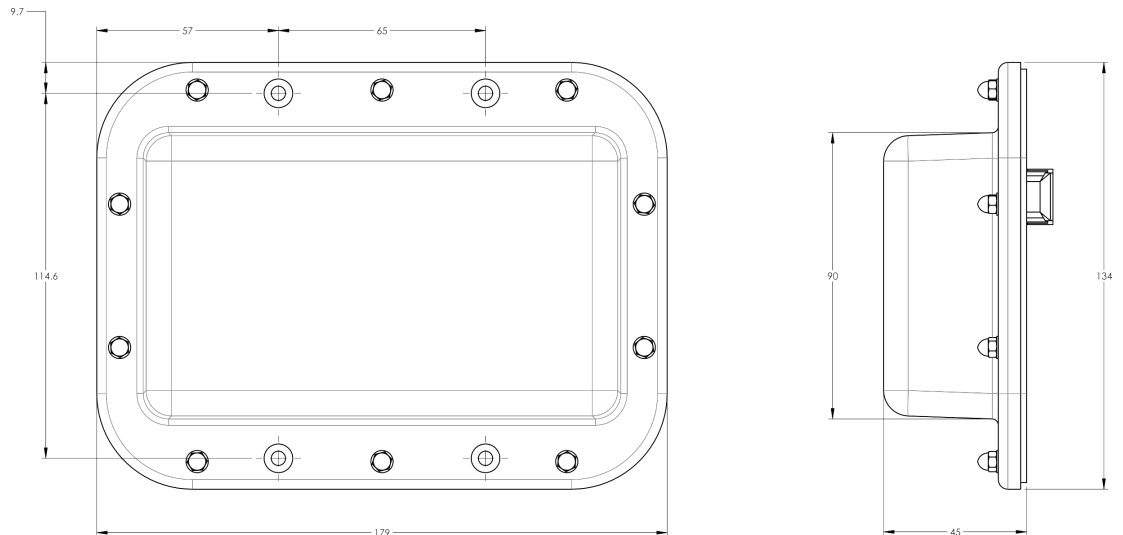
#### Electrical

Data Interface Signal	DC
Input Voltage	10-30 Vdc
Current Consumption Tilt	100 mA at $V_{in}=24$ (500 mA MAX)
Current Consumption Idle	10 mA at $V_{in}=24$

#### Mechanical

Dimensions (LxWxD)	7.0x5.3x1.8 in. (179x134x45 mm)
Housing	ASA/ABS/Aluminum
Weight	1.3 lbs (0.6 kg)

ASA= Acrylic Styrene Acrylonitrile  
ABS=Acrylonitrile Butadiene Styrene





STANDARDS & CERTIFICATIONS

DualBand Eight-Port Antenna

OPA33R-BW6C

Standards & Compliance

<b>Safety</b>	EN 60950-1, UL 60950-1
<b>Emission</b>	EN 55022
<b>Immunity</b>	EN 55024
<b>Environmental</b>	IEC 60068-2-1, IEC 60068-2-2, IEC 60068-2-5, IEC 60068-2-6, IEC-60068-2-11, IEC 60068-2-14, IEC 60068-2-18, IEC 60068-2-27, IEC 60068-2-29, IEC 60068-02-30, IEC 60068-2-52, IEC 60068-2-64, GR-63-CORE 4.3.1, EN 60529, IP 24

Certifications

Antenna Interface Standards Group (AISG), Federal Communication Commission (FCC) Part 15 Class B, CE, CSA US, ISO 9001

