

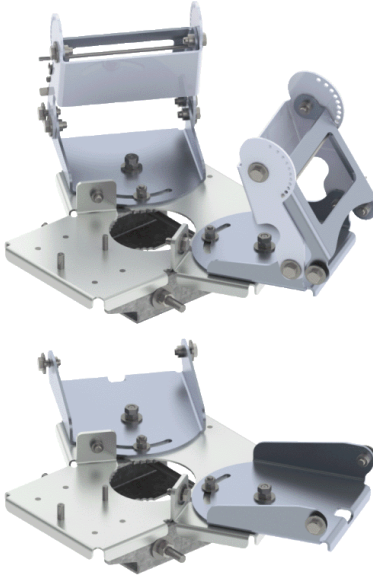


# Antennas

DATA SHEET

## Mounting Bracket Kit

MBK-20



- This two part antenna mounting bracket is designed for use with CCI's 3 – 4 ft tall (0.9 – 1.2 m) QPA65R-W3B and QPA65R-W4B antennas to mount two antennas to a single pole and where mechanical tilt is required
- Bracket holds two antennas with a 120 degree pitch
- Bracket kit allows  $\pm 30^\circ$  of horizontal antenna adjustment
- Bracket kit has  $0^\circ - 20^\circ$  of mechanical downtilt, at  $2^\circ$  increments
- Bracket kit utilizes a locking pin to ensure proper downtilt setting
- Bracket kit can be used for downtilted or uptilted installations
- Rugged and weather resistant design
- Adjustable clamps fit pole diameter from 3.5 – 4.5 in (89 – 115 mm)

### Overview

This Pole Mounting Bracket is designed for use with CCI's QPA65R-W3B and W4B antennas. The MBK-20 bracket kit delivers a very stable mounting for two antennas and offers 0 to 20 degrees of down tilt. The rugged design supports CCI's antennas while resisting the elements. The clamps adjust to fit pole diameters ranging from 3.5 – 4.5 inches (89 – 115 mm). CCI antenna brackets are designed and produced to ISO 9001 certification standards for reliability and quality in our state-of-the-art manufacturing facilities.

### Applications

- Ideal for pole mounting in urban settings



# Antennas

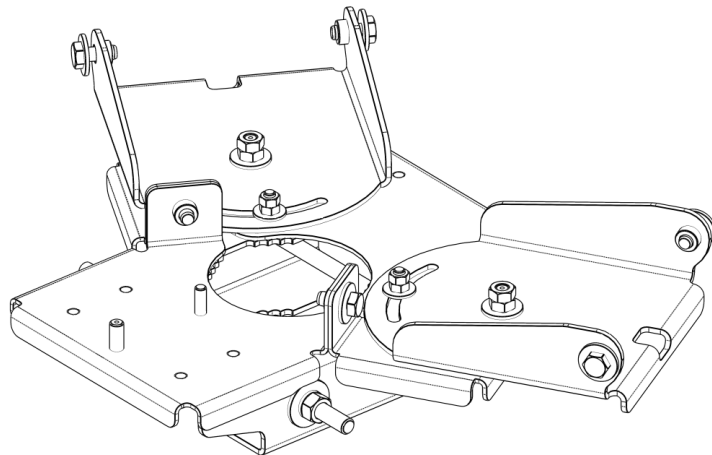
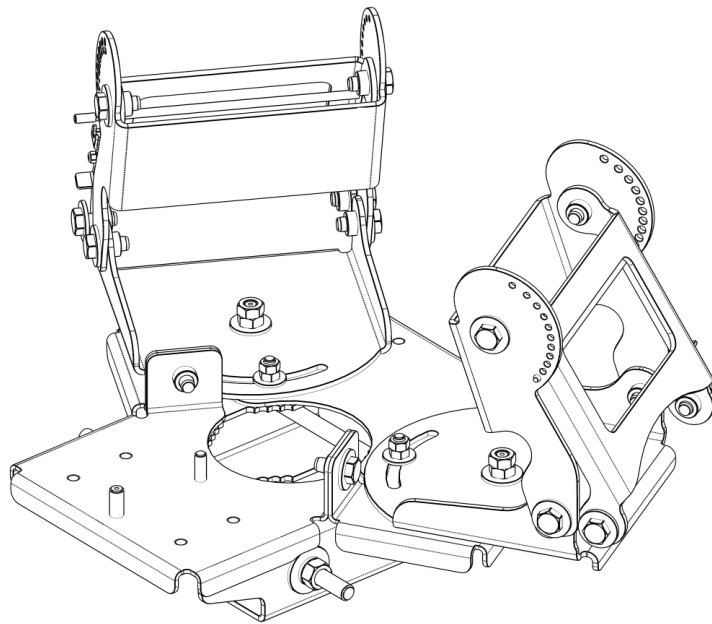
## SPECIFICATIONS

### Mounting Bracket Kit

MBK-20

#### Mechanical

<b>Weight</b>	40.6 lbs (18.4 kg)
<b>Hinge Pitch</b>	27.6 in (700 mm)
<b>Mounting Pole Dimension</b>	3.5 to 4.5 in (89.1 to 115 mm)
<b>Fastener Size</b>	M10 HHC Screw, DIN 933, ISO 4017 M12 Hex Nut, DIN 934, ISO 4032
<b>Installation Torque</b>	M10-18 ft·lbs (25 Nm), M12-40 ft·lbs (54 Nm)
<b>Maximum Static Load per Sector</b>	170.9 lbs (77.5 kg)
<b>Mechanical Tilt</b>	0° to 20°



MBK-20



# Antennas

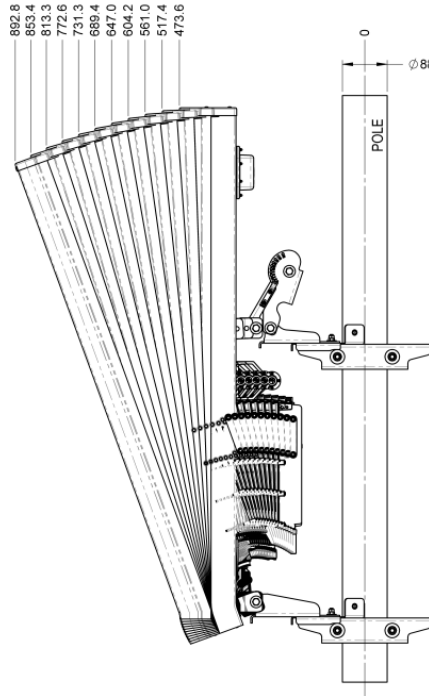
## SPECIFICATIONS

## Mounting Bracket Kit

MBK-20

### Mechanical

QPA65R-W4B ANTENNA DISTANCE FROM POLE BASED ON THE MECHANICAL TILT SETTING



MECHANICAL TILT (°)	DISTANCE FROM POLE $\varnothing$
0	473.6
2	517.4
4	561.0
6	604.2
8	647.0
10	689.4
12	731.3
14	772.6
16	813.3
18	853.4
20	892.8

NOTE: ALL MEASUREMENTS BASED ON MM (MILLIMETER)

Mechanical Tilt Setting Chart For QPA65R-W4BA



# Antennas

ORDERING

Mounting Bracket Kit

MBK-20

Parts & Accessories

**Model number** MBK-20

**Overall Weight** 40.6 lbs (18.4 kg)