

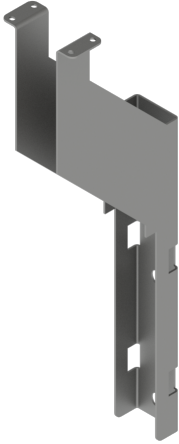


Antennas

DATA SHEET

Mounting Bracket Kit

MBC-06



- The antenna mounting bracket is specifically designed for mounting our BRS Omni antennas to utility and street lighting poles
- Rugged and weather resistant design
- Bracket fits poles $\text{\O}4$ inches ($\text{\O}10$ cm) and greater
- Recommended mounting method to steel poles is with metal strapping/banding (not included) and to wooden poles is with either metal strapping/banding or through bolting (not included)

Overview

This Pole Mounting Bracket is designed for use with CCI's BRS Omni antennas. The MBC-06 bracket kit delivers a very stable mounting with the flexibility of using banding or bolts to fasten to large diameter utility poles. The rugged design supports CCI's antennas while resisting the elements. The bracket is designed to fit utility and street lighting poles with diameters ranging from 4 inches (10 cm) and greater. CCI antenna brackets are designed and produced to ISO 9001 certification standards for reliability and quality in our state-of-the-art manufacturing facilities.

Applications

- Ideal for antenna mounting to the top of large diameter utility and street lighting poles



Antennas

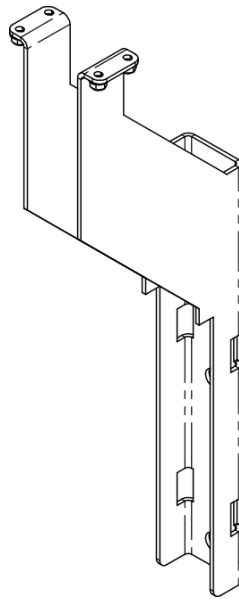
SPECIFICATIONS

Mounting Bracket Kit

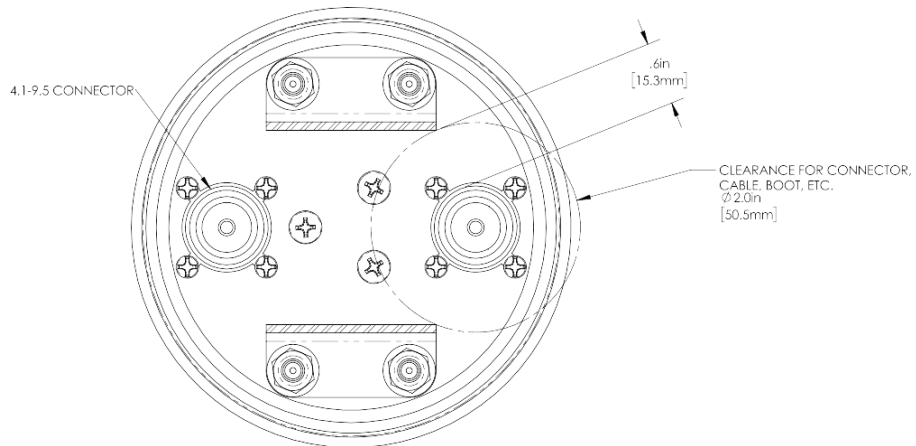
MBC-06

Mechanical

Weight	2.0 lbs (0.9 kg)
Mounting Pole Dimension	4 in (10 cm) and greater



MBC-06



Bottom view with connector clearance



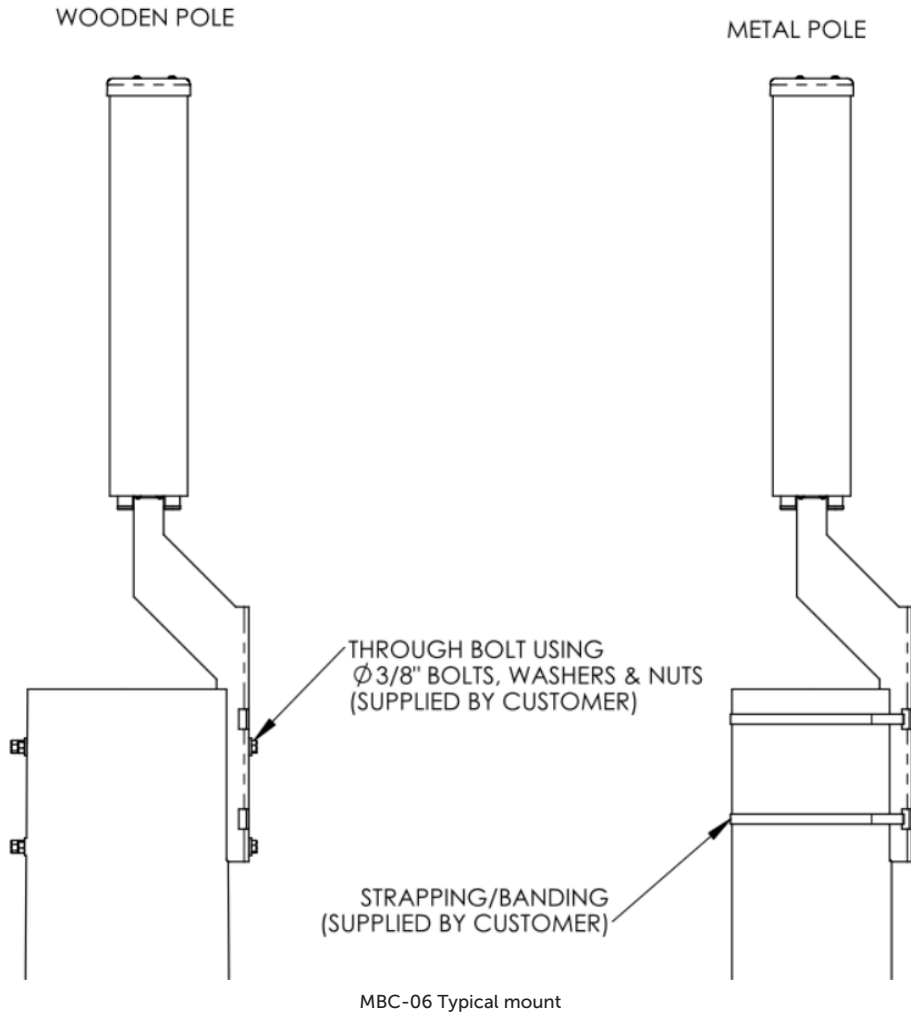
Antennas

SPECIFICATIONS

Mounting Bracket Kit

MBC-06

Suggested Mounting Options





Antennas

ORDERING

Mounting Bracket Kit

MBC-06

Parts & Accessories

Model number MBC-06

Overall Weight 2.0 lbs (0.9 kg)