

- Eight foot (2.4 m), Multiband, six port antenna with a 45° azimuth beamwidth covering 698-896 MHz and 1695-2400 MHz frequencies
- Four wide high band ports covering 1695-2400 MHz and two wide low band ports covering 698-896 MHz in a single antenna
- New enclosure with <15.4" (391 mm) width, narrowest enclosure in the industry for a 45° Multiband Hexport Antenna
- Full Spectrum Compliance for WCS and AWS-3 frequencies and Band 14 Operations
- LTE Optimized FBR and SPR performance, providing for an efficient use of valuable radio capacity
- LTE Optimized Boresight and Sector XPD and USL performance, essential for LTE Performance
- Exceeds minimum PIM performance requirements
- Equipped with 4.3-10 connector, which is 40% smaller than traditional 7/16 DIN connector
- Comes equipped with 3 field replaceable, integrated AISG 2.0 compliant Remote Electrical Tilt (RET) controllers
- Ordering options for External RET Controllers (Type 1) or Internally Integrated RET Controllers (Type 17)

### Overview

The CCI HexPort multiband array is a six port antenna, with four wide high band ports covering 1695-2400 MHz and two wide low band ports covering 698-896 MHz. The CCI HexPort provides the capability to deploy 4x4 Multiple-input Multiple-output (MIMO) in the high band and 2x2 Multiple-input Multiple-output in the low band. The CCI HexPort allows separate tilt control between the low band ports and high band ports. With the use of three (3) RET controllers, the paired high band ports can be tilted independently, enabling maximum flexibility in network deployment.

CCI antennas are designed and produced to ISO 9001 certification standards for reliability and quality in our state-of-the-art manufacturing facilities.

### Applications

- 4x4 MIMO for the high band and 2x2 MIMO for the low band
- Ready for Network Standardization on 4.3-10 connectors
- With CCI's MultiBand antennas, wireless providers can connect multiple platforms to a single antenna, reducing tower load, lease expense, deployment time and installation costs



SPECIFICATIONS

HexPort Multi-Band Antenna

HPA45R-BU8A

Electrical

Ports	2 × Low Band Ports for 698-896 MHz	
Frequency Range	698-806 MHz	824-896 MHz
Gain <sup>1</sup>	17.4 dBi	18.3 dBi
Gain (Average) <sup>2</sup>	17.0 dBi	17.8 dBi
Azimuth Beamwidth (-3dB)	51°	47°
Elevation Beamwidth (-3dB)	9.0°	7.9°
Electrical Downtilt	2° to 12°	2° to 12°
Elevation Sidelobes (1st Upper)	< -20 dB	< -20 dB
Front-to-Back Ratio @180°	> 30 dB	> 30 dB
Front-to-Back Ratio over ±20°	> 30 dB	> 28 dB
Cross-Polar Discrimination at Peak	> 22 dB	> 28 dB
Cross-Polar Discrimination at 3 dB <sup>2</sup>	21.1 dB	23.8 dB
Cross-Polar Port-to-Port Isolation	> 25 dB	> 25 dB
Voltage Standing Wave Ratio (VSWR)	< 1.5:1	< 1.5:1
Passive Intermodulation (2×20W)	≤ -150 dBc	≤ -150 dBc
Input Power Continuous Wave (CW)	500 watts	500 watts
Polarization	Dual Linear 45°	Dual Linear 45°
Input Impedance	50 ohms	50 ohms
Lightning Protection	DC Ground	DC Ground

<sup>1</sup>Peak gain across sub-bands.

<sup>2</sup>Electrical specifications follow document "Recommendation on Base Station Antenna Standards" (BASTA) V9.6.

Ports	4 × High Band Ports for 1695-2690 MHz			
Frequency Range	1695-1880 MHz	1850-1990 MHz	1920-2180 MHz	2300-2400 MHz
Gain <sup>1</sup>	18.9 dBi	19.8 dBi	20.0 dBi	20.3 dBi
Gain (Average) <sup>2</sup>	18.2 dBi	18.8 dBi	19.1 dBi	19.2 dBi
Azimuth Beamwidth (-3dB)	44°	42°	42°	42°
Elevation Beamwidth (-3dB)	5.2°	4.7°	4.4°	3.8°
Electrical Downtilt	2° to 10°	2° to 10°	2° to 10°	2° to 10°
Elevation Sidelobes (1st Upper)	< -18 dB	< -18 dB	< -18 dB	< -16 dB
Front-to-Back Ratio @180°	> 30 dB	> 32 dB	> 32 dB	> 35 dB
Front-to-Back Ratio over ±20°	> 28 dB	> 28 dB	> 28 dB	> 30 dB
Cross-Polar Discrimination at Peak	> 18 dB	> 18 dB	> 20 dB	> 25 dB
Cross-Polar Discrimination at 3 dB <sup>2</sup>	15.6 dB	15.5 dB	15.5 dB	16.7 dB
Cross-Polar Port-to-Port Isolation	> 25 dB	> 25 dB	> 25 dB	> 25 dB
Voltage Standing Wave Ratio (VSWR)	< 1.5:1	< 1.5:1	< 1.5:1	< 1.5:1
Passive Intermodulation (2×20W)	≤ -150 dBc	≤ -150 dBc	≤ -150 dBc	≤ -150 dBc
Input Power Continuous Wave (CW)	300 watts	300 watts	300 watts	300 watts
Polarization	Dual Linear 45°	Dual Linear 45°	Dual Linear 45°	Dual Linear 45°
Input Impedance	50 ohms	50 ohms	50 ohms	50 ohms
Lightning Protection	DC Ground	DC Ground	DC Ground	DC Ground

<sup>1</sup>Peak gain across sub-bands.

<sup>2</sup>Electrical specifications follow document "Recommendation on Base Station Antenna Standards" (BASTA) V9.6.



SPECIFICATIONS

HexPort Multi-Band Antenna

HPA45R-BU8A

Mechanical

<b>Dimensions (LxWxD)</b>	96.0x15.4x8.2 in (2438x391x208 mm)
<b>Survival Wind Speed</b>	> 150 mph (> 241 kph)
<b>Front Wind Load</b>	359 lbs (1596 N) @ 100 mph (161 kph)
<b>Side Wind Load</b>	218 lbs (968 N) @ 100 mph (161 kph)
<b>Equivalent Flat Plate Area</b>	14.0 ft <sup>2</sup> (1.3 m <sup>2</sup> )
<b>Weight *</b>	79.4 lbs (36.0 kg)
<b>RET Weight</b>	5.0 lbs (2.3 kg)
<b>Connector</b>	6 x 4.3-10 female
<b>Mounting Pole</b>	2 to 5 in (5 to 12 cm)

\* Weight excludes mounting and RET

HexPort Multi-Band Antenna

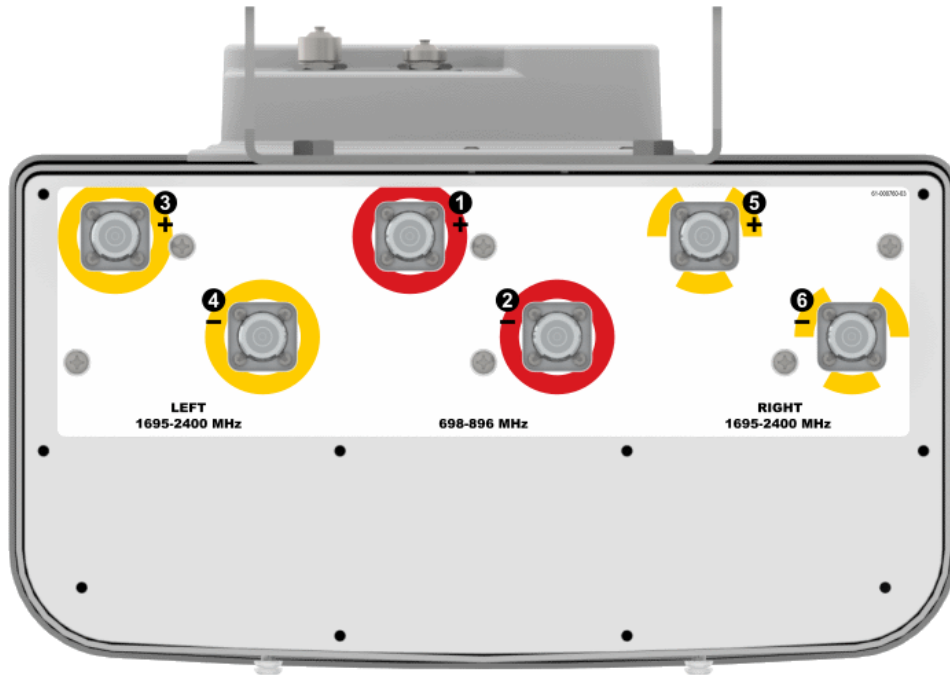
HPA45R-BU8A

SPECIFICATIONS

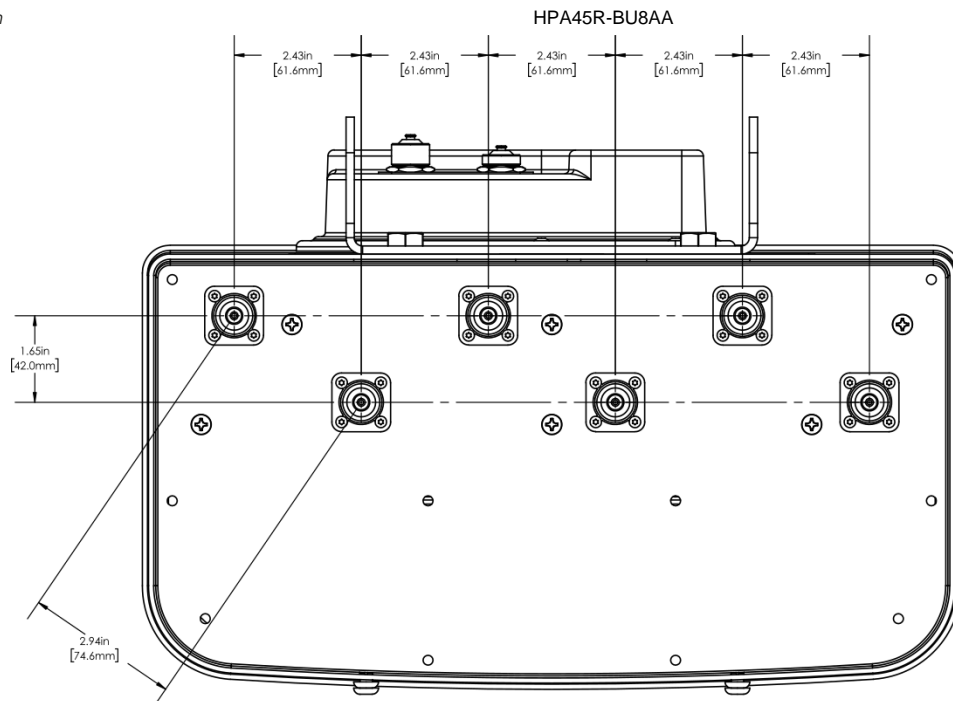
Mechanical

Bottom View

HPA45R-BU8AA



Connector Spacing Diagram



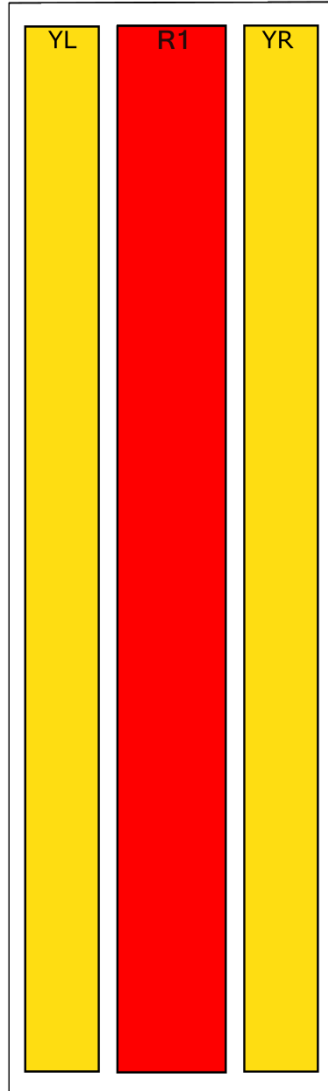
SPECIFICATIONS

Mechanical

RET to Element Configuration

HPA45R-BU8AA Element and RET configuration

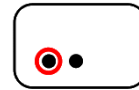
**Top of antenna  
Viewed from rear**



Mechanical

**RET placement  
as view from rear  
of antenna**

Top of antenna



698-896 (B)  
Ports 1, 2  
(R1)



RIGHT  
1695-2400 (U)  
Ports 5, 6  
(YR)



LEFT  
1695-2400 (U)  
Ports 3, 4  
(YL)

Array	Ports	Freq (MHz)	Ports controlled by common RET
R1	1, 2	698-896	1, 2
YL	3, 4	1695-2400	3, 4
YR	5, 6	1695-2400	5, 6



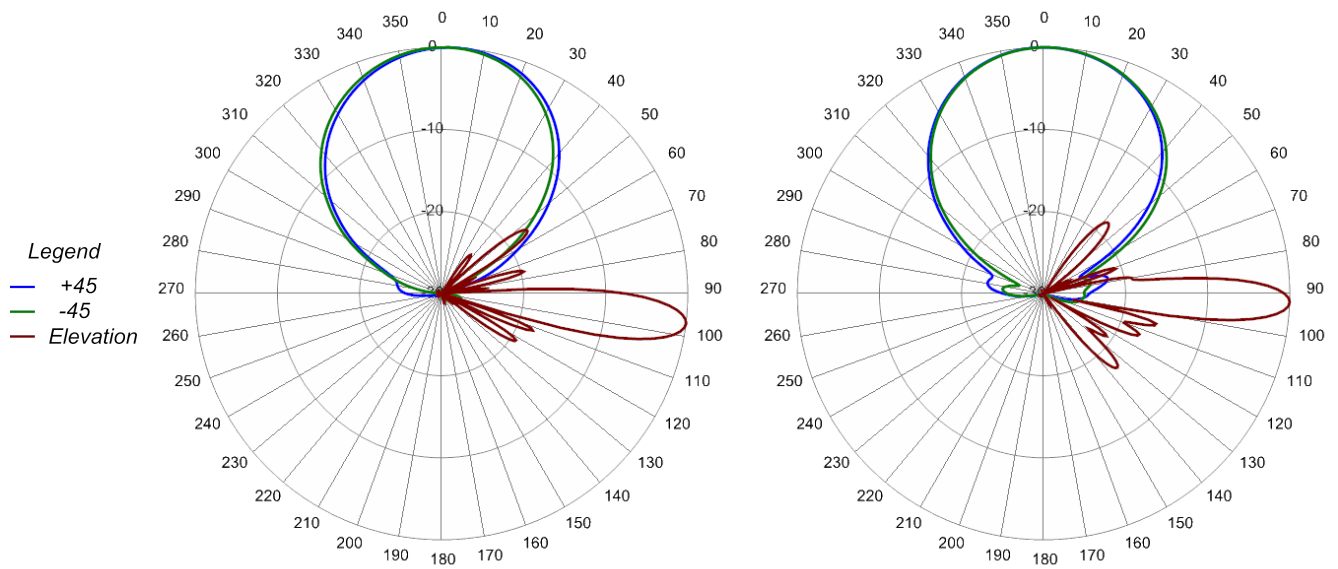
SPECIFICATIONS

HexPort Multi-Band Antenna

HPA45R-BU8A

Typical Antenna Patterns

For detailed information on additional antenna patterns, contact customer support at support@cciproducts.com

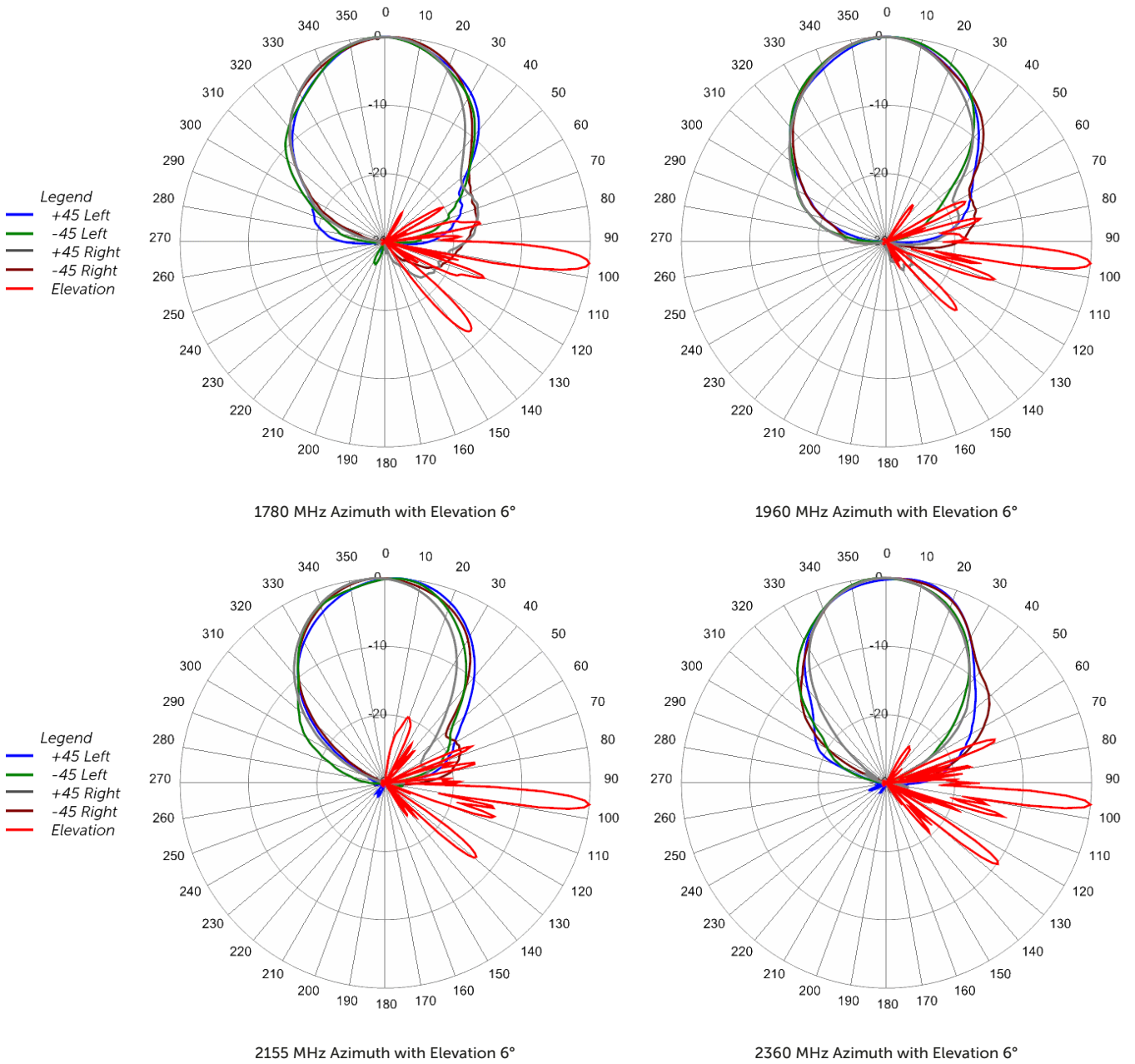


734 MHz Azimuth with Elevation 7°

806 MHz Azimuth with Elevation 7°



Typical Antenna Patterns





Parts & Accessories

<b>HPA45R-BU8AA-K</b>	Eight foot (2.4 m) HexPort antenna with 45° azimuth beamwidth, 4.3-10 female connectors, 3 factory installed BSA-RET200 RET actuators (Type 1 External) and MBK-01 mounting bracket
<b>HPA45R-BU8AB-K</b>	Eight foot (2.4 m) HexPort antenna with 45° azimuth beamwidth, 4.3-10 female connectors, 3 factory installed BSA-RET400 RET actuators (Type 17 internal) and MBK-01 mounting bracket
<b>MBK-01</b>	Mounting bracket kit (top and bottom) with 0° to 10° mechanical tilt adjustment
<b>BSA-RET200</b>	Type 1 Remote electrical tilt actuator
<b>BSA-RET400</b>	Type 17 remote electrical tilt actuator
<b>KUE-CBK-AG-RRU</b>	HexPort antenna with 3 RET to RRU AISG cable kit
<b>CBK-RA-AG-RRU-003</b>	HexPort antenna with 3 RET to RRU AISG right angle cable kit



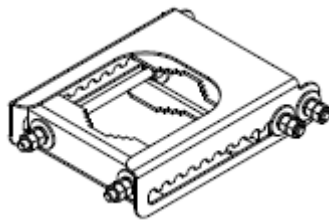


Mounting Bracket Kit

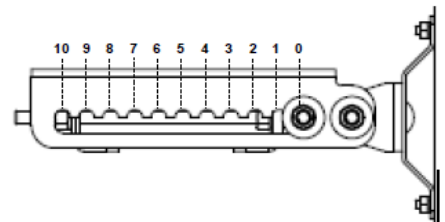
MBK-01

Mechanical

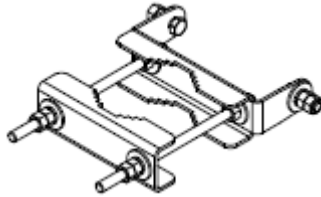
<b>Weight</b>	12.6 lbs (5.7 kg)
<b>Hinge Pitch</b>	47.25 in (1200 mm)
<b>Mounting Pole Dimension</b>	2 to 5 in (5 to 12 cm)
<b>Fastener Size</b>	M12
<b>Installation Torque</b>	40 ft·lb (54 N·m)
<b>Mechanical Tilt Adjustment</b>	0° - 10°



MBK-01 Top Adjustable Bracket



MBK-01 Top Adjustable Bracket Side View



MBK-01 Bottom Fixed Bracket



### Remote Electrical Tilt Actuator (RET)

BSA-RET200

#### General Specifications

Part Number	BSA-RET200
Protocols	AISG 2.0
RET Type	Type 1
Adjustment Cycles	>10,000 cycles
Tilt Accuracy	±0.1°
Temperature Range	-40° C to 70° C

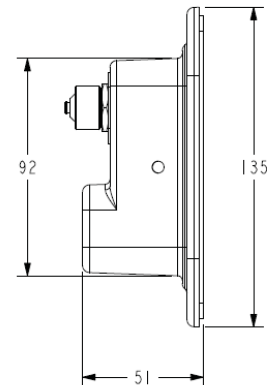
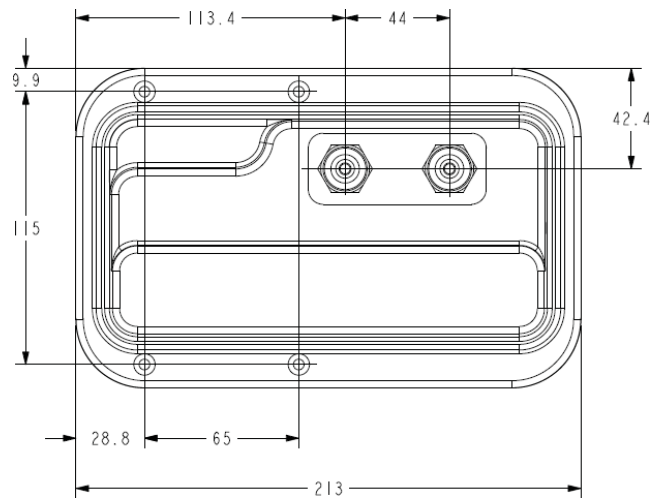
#### Electrical

Data Interface Signal	DC
Input Voltage	10-30 Vdc
Current Consumption Tilt	120 mA at $V_{in}=24$
Current Consumption Idle	55 mA at $V_{in}=24$
Hardware Interface	AISG-RS 485 A/B
Input Connector	Male 1 × 8 pin Daisy Chain
Output Connector	Female 1 × 8 pin Daisy Chain

#### Mechanical

Dimensions (LxWxD)	8.0x5.0x2.0 in. (213x135x51 mm)
Housing	ASA/ABS/Aluminum
Weight	1.7 lbs (0.75 kg)

ASA= Acrylic Styrene Acrylonitrile  
ABS=Acrylonitrile Butadiene Styrene





Internal Remote Electrical Tilt (iRET)

BSA-RET400

General Specifications

Part Number	BSA-RET400
Protocols	AISG 2.0
RET Type	Type 17
Adjustment Cycles	>10,000 cycles
Tilt Accuracy	±0.1°
Temperature Range	-40° C to 70° C

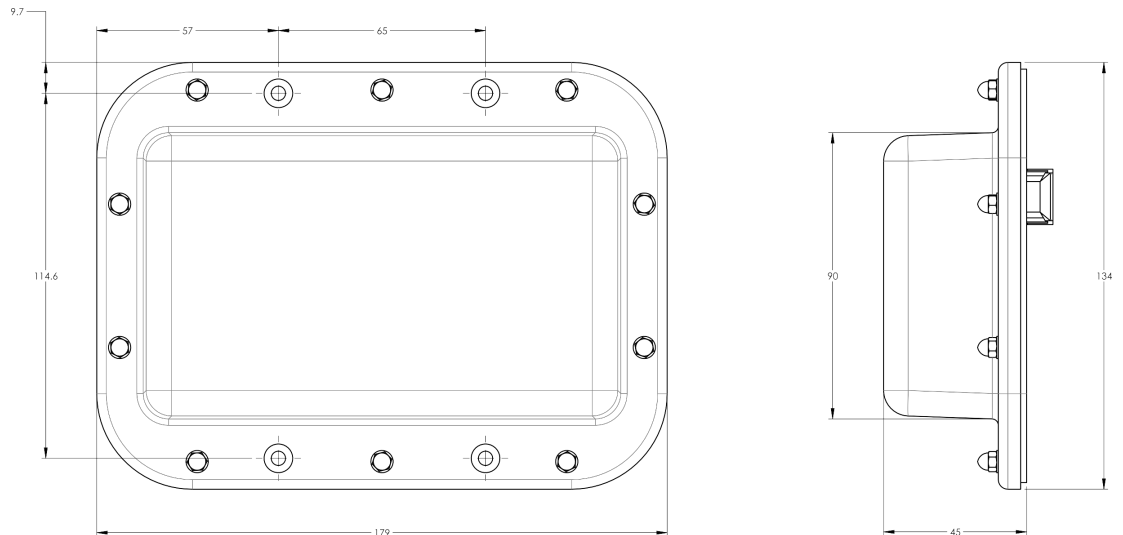
Electrical

Data Interface Signal	DC
Input Voltage	10-30 Vdc
Current Consumption Tilt	100 mA at $V_{in}=24$ (500 mA MAX)
Current Consumption Idle	10 mA at $V_{in}=24$

Mechanical

Dimensions (LxWxD)	7.0x5.3x1.8 in. (179x134x45 mm)
Housing	ASA/ABS/Aluminum
Weight	1.3 lbs (0.6 kg)

ASA= Acrylic Styrene Acrylonitrile  
ABS=Acrylonitrile Butadiene Styrene



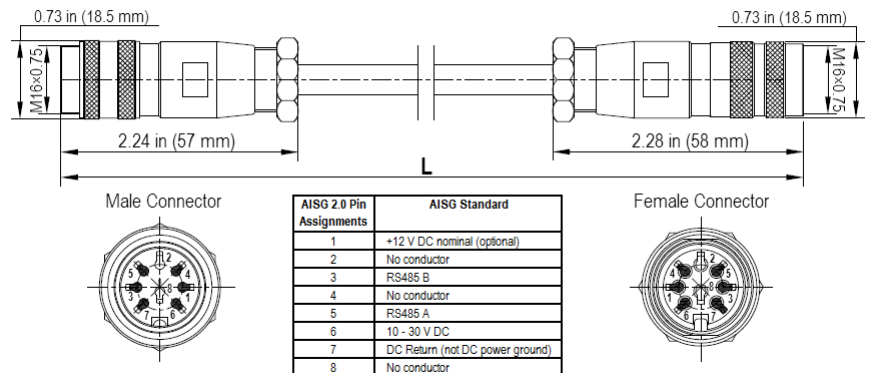


Electrical Specifications

<b>Individual Cable Part Number</b>	AISGC-M-F-34	AISGC-M-F-10FT
<b>Cable style</b>	UL2464	UL2464
<b>Protocol</b>	AISG 1.1 and AISG 2.0	AISG 1.1 and AISG 2.0
<b>Maximum voltage</b>	300 V	300 V
<b>Rated current</b>	5 A at 104° F (40° C)	5 A at 104° F (40° C)

Mechanical Specifications

<b>Individual Cable Part Number</b>	AISGC-M-F-34	AISGC-M-F-10FT
<b>Cables per kit</b>	3	2
<b>Connectors</b>	2 x 8 pin IEC 60130-9 Straight male/straight female	2 x 8 pin IEC 60130-9 Straight male/straight female
<b>Tightening torque</b>	Hand tighten only ≈ 1.84 ft-lbs (2.5 N-m)	Hand tighten only ≈ 1.84 ft-lbs (2.5 N-m)
<b>Construction</b>	Shielded (Tinned Copper Braid)	Shielded (Tinned Copper Braid)
<b>Braid coverage</b>	85%	85%
<b>Jacket Material</b>	Matte Polyurethane (Black)	Matte Polyurethane (Black)
<b>Conductors</b>	1 twisted pair - 24 AWG 3 conductors - 19 AWG AWM style 2464	1 twisted pair - 24 AWG 3 conductors - 19 AWG AWM style 2464
<b>Cable Diameter</b>	0.307 in (7.8 mm)	0.307 in (7.8 mm)
<b>Length</b>	34 in (864 mm)	120 in (3048 mm)
<b>Weight</b>	0.33 lbs (0.15 kg)	0.69 lbs (.31 kg)
<b>Minimum bend radius</b>	3.9 in (100 mm)	3.9 in (100 mm)



AISG-Male to AISG-Female Jumper Cable

Environmental Specifications

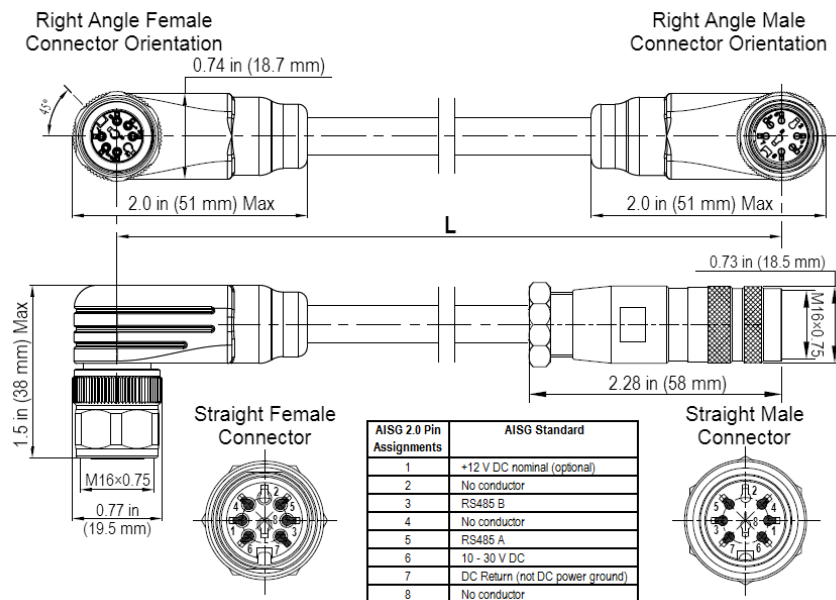
<b>Individual Cable Part Number</b>	AISGC-M-F-34	AISGC-M-F-10FT
<b>Temperature Range</b>	-40° to 80° C	-40° to 80° C
<b>Flammability</b>	UL 1581 VW-1	UL 1581 VW-1
<b>Ingress Protection</b>	IEC 60529:2001, IP67	IEC 60529:2001, IP67



Electrical/Mechanical/Environmental Specifications

	RET to RET Cables		RRU to Antenna Cables
Individual Cable Part Number	AISGC-MRA-FRA-27	AISGC-MRA-FRA-36	AISGC-M-FRA-10FT
Cable style	UL2464		
Protocol	AISG 1.1 and AISG 2.0		
Maximum voltage	300 V		
Rated current	5 A at 104° F (40° C)		
Temperature Range	-40° to 80° C		
Flammability	UL 1581 VW-1		
Ingress Protection	IEC 60529:2001, IP67		
Tightening torque	Hand tighten only ≈ 1.84 ft-lbs (2.5 N-m)		
Construction	Shielded (Tinned Copper Braid)		
Braid coverage	85%		
Jacket Material	Matte Polyurethane (Black)		
Conductors	1 twisted pair - 24 AWG 3 conductors - 19 AWG AWM style 2464		
Cable Diameter	0.307 in (7.8 mm)		
Minimum bend radius	3.9 in (100 mm)		
Connectors	2 x 8 pin IEC 60130-9 Right angle male/right angle female		2 x 8 pin IEC 60130-9 Straight male/right angle female
Length	27 in (685 mm)	36 in (914 mm)	120 in (3048 mm)
Weight	0.20 lbs (0.09 kg)	0.23 lbs (0.10 kg)	0.77 lbs (0.35 kg)
Cables per kit	1	1	2

Mechanical Specifications



Right Angle to Right Angle and Right Angle to Straight Jumper Cable



STANDARDS & CERTIFICATIONS

HexPort Multi-Band Antenna

HPA45R-BU8A

Standards & Compliance

<b>Safety</b>	EN 60950-1, UL 60950-1
<b>Emission</b>	EN 55022
<b>Immunity</b>	EN 55024
<b>Environmental</b>	IEC 60068-2-1, IEC 60068-2-2, IEC 60068-2-5, IEC 60068-2-6, IEC-60068-2-11, IEC 60068-2-14, IEC 60068-2-18, IEC 60068-2-27, IEC 60068-2-29, IEC 60068-02-30, IEC 60068-2-52, IEC 60068-2-64, GR-63-CORE 4.3.1, EN 60529, IP 24

Certifications

Antenna Interface Standards Group (AISG), Federal Communication Commission (FCC) Part 15 Class B, CE, CSA US, ISO 9001

