

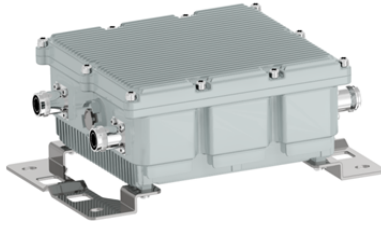


# Filters & Combiners

DATA SHEET

## Wideband 0.6 to 6 GHz Hybrid Combiner

HLO-66-2xx



- Wideband Hybrid Combiner with Integrated Load covering 600 - 2700 MHz
- Compact twin unit with excellent return loss
- High in-band isolation of 25 dB
- Outdoor capable unit rated at IP67
- Very low PIM
- High power Handling 200W per port and 3KW peak
- RoHS and AISG compliant

### Overview

CCI's Wideband 2-Way Hybrid Combiner with Integrated Load provides a solution where combining two RF inputs into one output is required. The unit is housed in a weatherproof outdoor enclosure for outdoor basestation or tower mount applications.

#### Technical Description:

CCI's Outdoor Wideband 2-Way Hybrid Combiner with Integrated Load covers the full 600 - 2700 MHz spectrum. The unit is housed in an IP67 moisture proof enclosure, with IP67 moisture proof connectors suited for long-life. The combiner can be wall or pole mounted.



# Filters & Combiners

## SPECIFICATIONS

### Wideband 0.6 to 6 GHz Hybrid Combiner

HLO-66-2xx

#### Electrical

RF Parameters	Ports	Frequency(MHz)	Specification
Insertion Loss	Port 1/Port 2 to COM	600 - 2700	3.5 dB ± 0.4 dB
Isolation	Port 1 to Port 2	600 - 2700	25 dB min.
Return Loss	All Ports	600 - 2700	20 dB min.

General Characteristics	
Impedance	50 ohms
Continuous Average Power	200 W maximum (per port)
Peak Envelope Power	2 kW maximum
Intermodulation Performance	<-160 dBc (-117 dBm) minimum
DC Pass Current/AISG Pass	DC path: Port 2 to COM (max 2.5 A per AISG 2.0)

#### Environmental

Operating Temperature	-40 °C to +65 °C
Ingress Protection	IP67
Relative Humidity	0 - 95%
Lightning Protection	8/20us, ±10KA max, 10 strikes per IEC61000-4-5

#### Mechanical

Parameters	HYL-67-2Sx (Single)	HYL-67-2Tx (Twin)
Input Connectors	7-16 or 4.3-10 female × 2	7-16 or 4.3-10 female × 4
Output Connectors	7-16 or 4.3-10 female × 1	7-16 or 4.3-10 female × 2
Dimensions (body only)(HxWxD)	8.50 × 7.76 × 3.25 in. (216.0 × 197.0 × 82.5 mm)	8.50 × 7.76 × 6.50 in. (216.0 × 197.0 × 165.0 mm)
Dimensions (incl. brackets)(HxWxD)	11.18 × 7.76 × 3.84 in. (284.0 × 197.0 × 97.5 mm)	11.18 × 7.76 × 7.09 in. (284.0 × 197.0 × 180.0 mm)
Weight with brackets	9.9 lbs (4.5 Kg)	19.8 lbs (9.0 Kg)
Mounting	Pole/Wall mounting bracket	

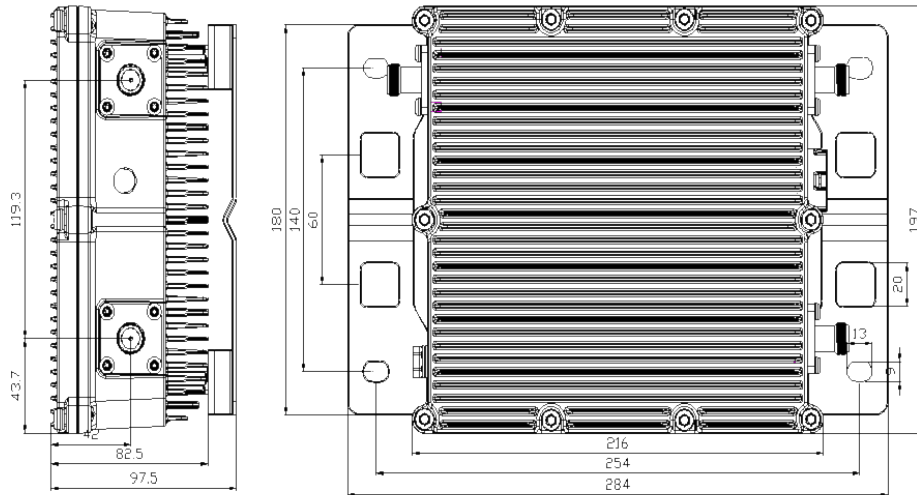


# Filters & Combiners

SPECIFICATIONS

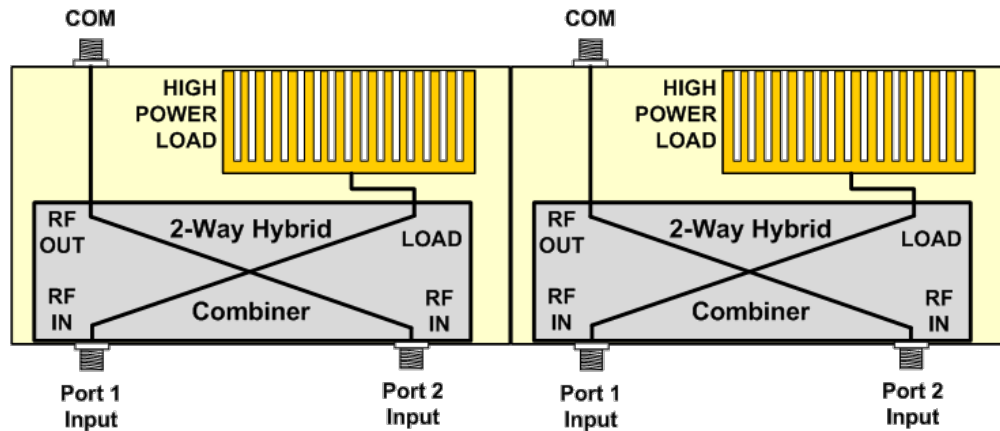
Wideband 0.6 to 6 GHz Hybrid Combiner

HLO-66-2xx



2-Way Hybrid Combiner with Integrated Load Outline Drawing

Block Diagram



2 Way Hybrid Twin Combiner with Integrated Load Block Diagram



# Filters & Combiners

## STANDARDS & CERTIFICATIONS

### Wideband 0.6 to 6 GHz Hybrid Combiner

HLO-66-2xx

#### Parts & Accessories

- HYL-67-2S1** Outdoor Wideband 2-Way Hybrid Combiner with Integrated Load and DIN Connectors
- HYL-67-2S2** Outdoor Wideband 2-Way Hybrid Combiner with Integrated Load and 4.3-10 Connectors
- HYL-67-2T1** Outdoor Wideband 2-Way Twin Hybrid Combiner with Integrated Load and DIN Connectors
- HYL-67-2T2** Outdoor Wideband 2-Way Hybrid Twin Combiner with Integrated Load and 4.3-10 Connectors

#### Standards & Compliance

- Safety** EN 60950-1, UL 60950-1
- Emission** EN 55022
- Immunity** EN 55024
- Environmental** IEC 60068-2-1, IEC 60068-2-2, IEC 60068-2-5, IEC 60068-2-6, IEC-60068-2-11, IEC 60068-2-14, IEC 60068-2-18, IEC 60068-2-27, IEC 60068-2-29, IEC 60068-02-30, IEC 60068-2-52, IEC 60068-2-64, GR-63-CORE 4.3.1, EN 60529 IP65 & IP67

#### Certifications

Antenna Interface Standards Group (AISG), Federal Communication Commission (FCC) Part 15 Class B, CE, CSA US, ISO 9001

