

- Eight foot (2.3 m) internally multiplexed MultiBand, fourteen port antenna, with a 45° azimuth beamwidth covering 698-896 MHz and 1695-2400 MHz frequencies
- Eight wide mid band ports covering 1695-2400 MHz, two wide low band ports covering 698-896 MHz and four frequency specific low band ports covering 717-728 MHz and 758-798 MHz (over distributed diplexing) in a single antenna enclosure
- Innovative Low and Mid Band Array configuration allows for independent 2T2R (2x2 MIMO) on B29 Low Band Array and 4T4R (4x4 MIMO) on B14/B12 Low Band Arrays and Dual 4T4R (4x4 MIMO) Mid Band Array, using full length arrays, all in a 23.8" (606 mm) width enclosure
- Industry leading antenna topology and RET shielding techniques drastically mitigate PIM propagation from B12/B14/B29 operations, allowing for superior Network performance
- Full Spectrum Compliance for 698-896 MHz / 1695-2400 MHz operations
- LTE Optimized FBR and SPR performance, providing for an efficient use of valuable radio capacity
- LTE Optimized Boresight and Sector XPD and USL performance, essential for LTE Performance
- Exceeds minimum PIM performance requirements
- Equipped with four RET-T17iG3-M, internal integrated AISG 2.0 compliant (upgradable to AISG 3.0 when available) Remote Electrical Tilt (RET) Actuators
- Equipped with new 4.3-10 connector

Overview

The CCI internally multiplexed MultiBand array is a fourteen port antenna, with eight wide mid band ports covering 1695-2400 MHz, two wide low band ports covering 698-896 MHz and four frequency specific low band ports covering 717-728 MHz and 758-798 MHz (over distributed diplexing).

The antenna provides the capability to deploy dual 4T4R (4x4 MIMO) in the Mid Band, with a separate RET control. The antenna also provides the capability to provide independent RET control for B29 and B14/B12 operations.

CCI antennas are designed and produced to ISO 9001:2008 certification standards for reliability and quality in our state-of-the-art manufacturing facilities.

Applications

- Dual 4x4 MIMO for the Mid band ports and 2x2 MIMO on B29 ports and 4x4 MIMO on B14/B12 ports
- Ready for Network Standardization on 4.3-10 connectors
- With CCI's multiband antennas, wireless providers can connect multiple platforms to a single antenna, reducing tower load, lease expense, deployment time and installation costs



SPECIFICATIONS

Multi-Band Fourteen-Port Antenna

FPA45R-BU8B

Electrical

Ports	2 x Low Band Ports for 717-728 MHz	2 x Low Band Ports for 758-798 MHz	2 x Low Band Ports for 698-896 MHz	
Frequency Range	717-728 MHz	758-798 MHz	698-806 MHz	824-896 MHz
Gain ¹	15.7 dBi	16.1 dBi	16.7 dBi	17.3 dBi
Gain (Average)	15.5 dBi	15.6 dBi	15.9 dBi	16.8 dBi
Azimuth Beamwidth (-3dB)	47°	46°	45°	41°
Elevation Beamwidth (-3dB)	9.1°	8.4°	8.8°	7.7°
Electrical Downtilt	0° to 8°	0° to 8°	0° to 8°	0° to 8°
Elevation Sidelobes (1st Upper)	< -18 dB	< -17 dB	< -17 dB	< -17 dB
Front-to-Back Ratio @180°	> 32 dB	> 35 dB	> 32 dB	> 35 dB
Front-to-Back Ratio ±20°	> 30 dB	> 30 dB	> 28 dB	> 32 dB
Cross-Polar Discrimination at Peak	> 25 dB	> 30 dB	> 28 dB	> 28 dB
Cross-Polar Discrimination at 3 dB ²	17.3 dB	20.8 dB	19.9 dB	19.3 dB
Cross-Polar Port-to-Port Isolation	> 25 dB	> 25 dB	> 25 dB	> 25 dB
Voltage Standing Wave Ratio (VSWR)	< 1.5:1	< 1.5:1	< 1.5:1	< 1.5:1
Passive Intermodulation (2x20W)	≤ -153 dBc	≤ -153 dBc	≤ -153 dBc	≤ -153 dBc
Input Power Continuous Wave (CW)	500 watts	500 watts	500 watts	500 watts
Polarization	Dual Linear 45°	Dual Linear 45°	Dual Linear 45°	Dual Linear 45°
Input Impedance	50 ohms	50 ohms	50 ohms	50 ohms
Lightning Protection	DC Ground	DC Ground	DC Ground	DC Ground

¹Peak gain across sub-bands.

²Electrical specifications follow document "Recommendation on Base Station Antenna Standards" (BASTA) V11.1.

Ports	8 x Mid Band Ports for 1695-2400 MHz			
Frequency Range	1695-1880 MHz	1850-1990 MHz	1920-2180 MHz	2300-2400 MHz
Gain ¹	19.4 dBi	19.8 dBi	20.3 dBi	20.3 dBi
Gain (Average)	18.0 dBi	18.8 dBi	19.2 dBi	19.4 dBi
Azimuth Beamwidth (-3dB)	49°	46°	46°	43°
Elevation Beamwidth (-3dB)	4.5°	4.2°	4.0°	3.4°
Electrical Downtilt	0° to 8°	0° to 8°	0° to 8°	0° to 8°
Elevation Sidelobes (1st Upper)	< -20 dB	< -20 dB	< -20 dB	< -18 dB
Front-to-Back Ratio @180°	> 30 dB	> 34 dB	> 35 dB	> 35 dB
Front-to-Back Ratio ±20°	> 25 dB	> 28 dB	> 30 dB	> 30 dB
Cross-Polar Discrimination at Peak	> 19 dB	> 20 dB	> 24 dB	> 20 dB
Cross-Polar Discrimination at Sector ²	9.7 dB	13.1 dB	13.2 dB	15.2 dB
Cross-Polar Port-to-Port Isolation	> 25 dB	> 25 dB	> 25 dB	> 25 dB
Voltage Standing Wave Ratio (VSWR)	< 1.5:1	< 1.5:1	< 1.5:1	< 1.5:1
Passive Intermodulation (2x20W)	≤ -153 dBc	≤ -153 dBc	≤ -153 dBc	≤ -153 dBc
Input Power Continuous Wave (CW)	300 watts	300 watts	300 watts	300 watts
Polarization	Dual Linear 45°	Dual Linear 45°	Dual Linear 45°	Dual Linear 45°
Input Impedance	50 ohms	50 ohms	50 ohms	50 ohms
Lightning Protection	DC Ground	DC Ground	DC Ground	DC Ground

¹Peak gain across sub-bands.

²Electrical specifications follow document "Recommendation on Base Station Antenna Standards" (BASTA) V11.1.



SPECIFICATIONS

Multi-Band Fourteen-Port Antenna

FPA45R-BU8B

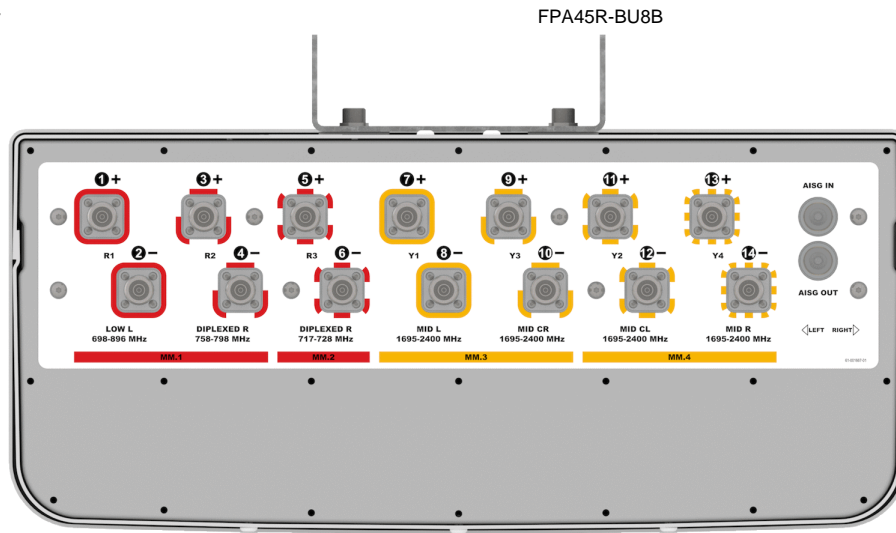
Mechanical

Dimensions (LxWxD)	90.7x23.8x10.0 in (2304x606x255 mm)
Survival Wind Speed	> 150 mph (> 241 kph)
Front Wind Load ¹	302 lbf @ 100 mph 1345 N @ 161 kph
Side Wind Load ¹	116 lbf @ 100 mph 514 N @ 161 kph
Effective Projective Area (EPA), Front ¹	12.1 ft ² (1.1 m ²)
Weight*	154.3 lbs (70.0 kg)
Connector	14 x 4.3-10 female
Mounting Pole	2 to 5 in (5 to 12 cm)

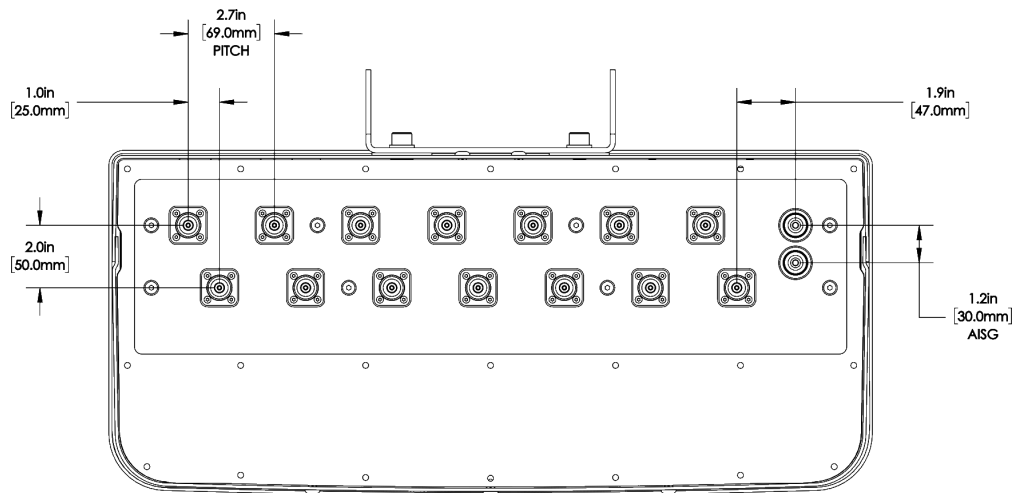
¹Windload values calculated using CFD analysis

* Weight excludes mounting kit

Bottom View



Connector Spacing





SPECIFICATIONS

Multi-Band Fourteen-Port Antenna

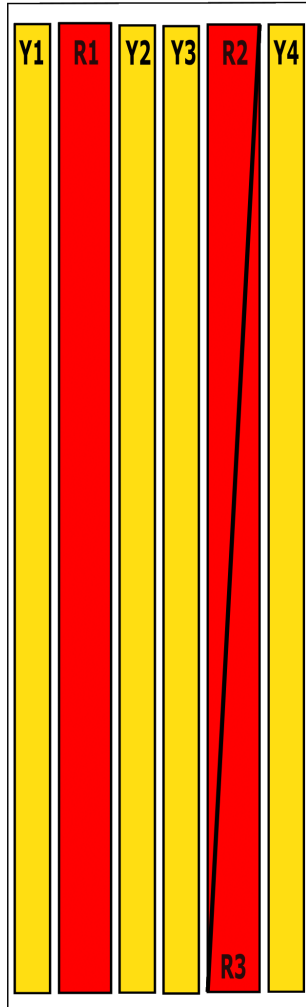
FPA45R-BU8B

Mechanical

RET to Array Configuration

FPA45R-BU8BB RET and Array configuration (Type T17IG3-M Internal RET)

**Top of antenna
Viewed from rear**



Array	Ports	Freq (MHz)	Ports controlled by dedicated RET	AISG RET UID
R1	1, 2	698-896	1, 2, 3, 4	C1xxxxxxMM.1
R2	3, 4	758-798		C1xxxxxxMM.2
R3	5, 6	717-728	5, 6	C1xxxxxxMM.3
Y1	7, 8	1695-2400	7, 8, 9, 10	C1xxxxxxMM.3
Y3	9, 10			
Y2	11, 12	1695-2400	11, 12, 13, 14	C1xxxxxxMM.4
Y4	13, 14			

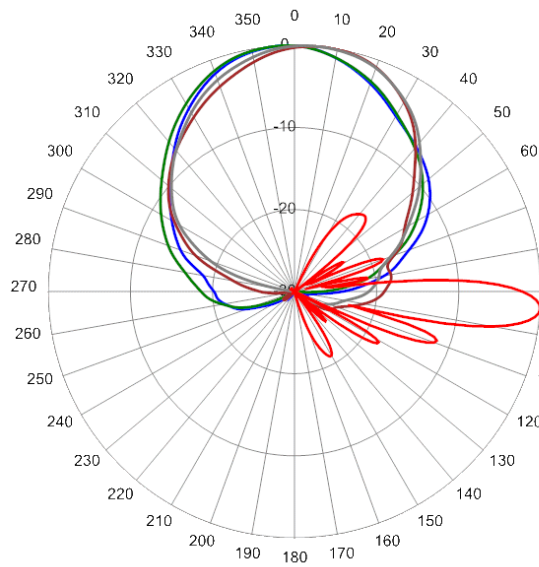


Multi-Band Fourteen-Port Antenna

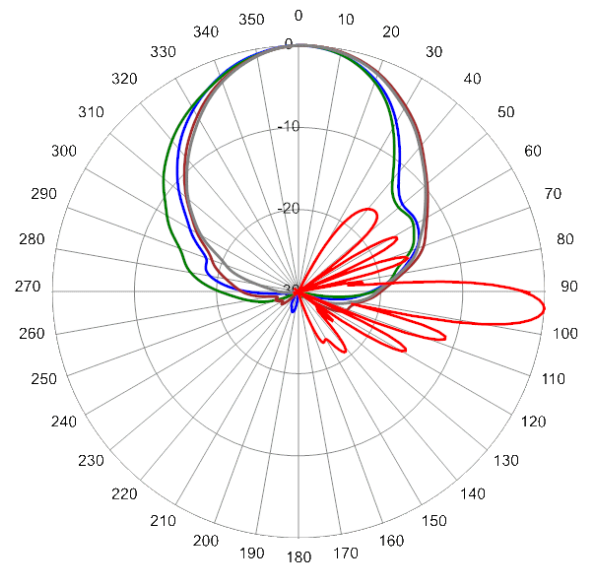
FPA45R-BU8B

Typical Antenna Patterns

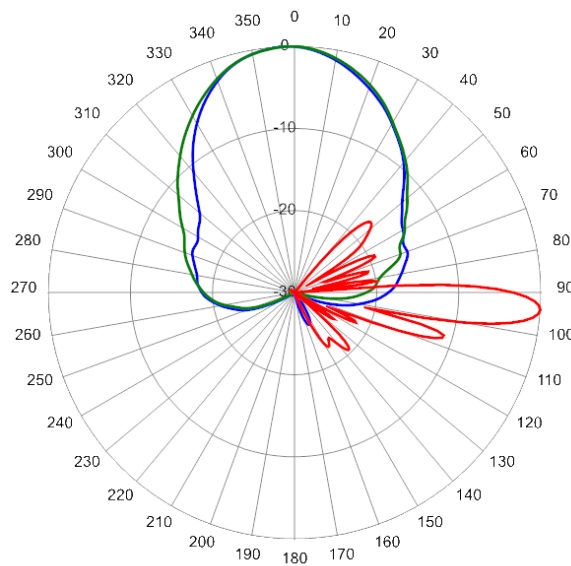
For detailed information on additional antenna patterns, contact customer support at support@cciproducts.com



722 MHz Azimuth with Elevation 4° (Ports 1, 2, 5 & 6)



788 MHz Azimuth with Elevation 4° (Ports 1, 2, 3 & 4)



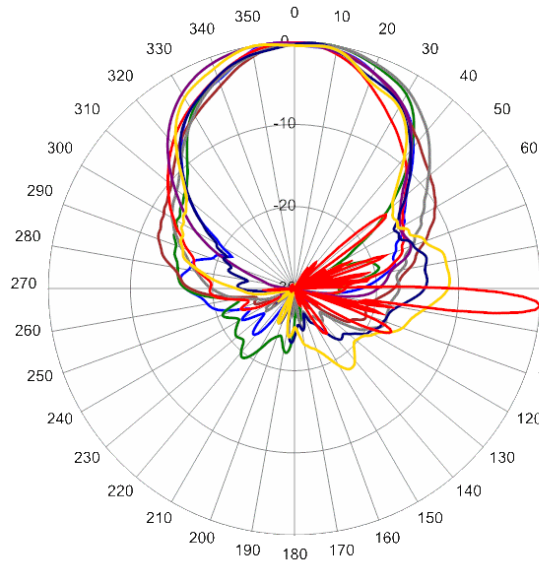
896 MHz Azimuth with Elevation 4° (Ports 1 & 2)



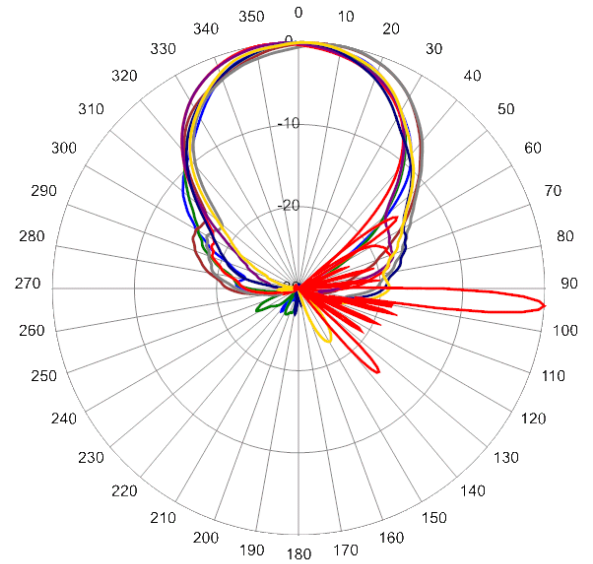
Multi-Band Fourteen-Port Antenna

FPA45R-BU8B

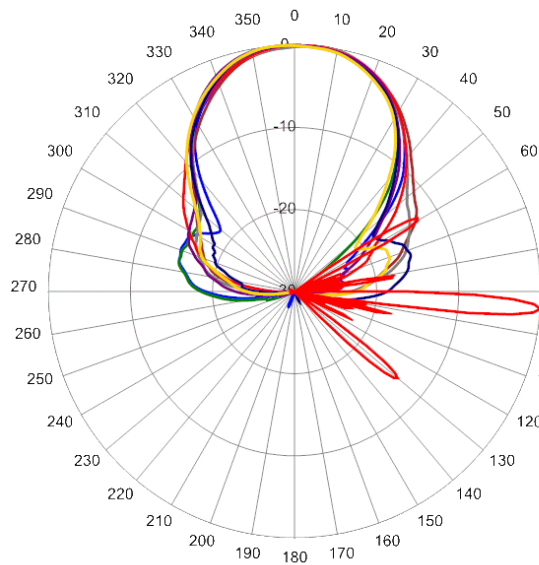
Typical Antenna Patterns



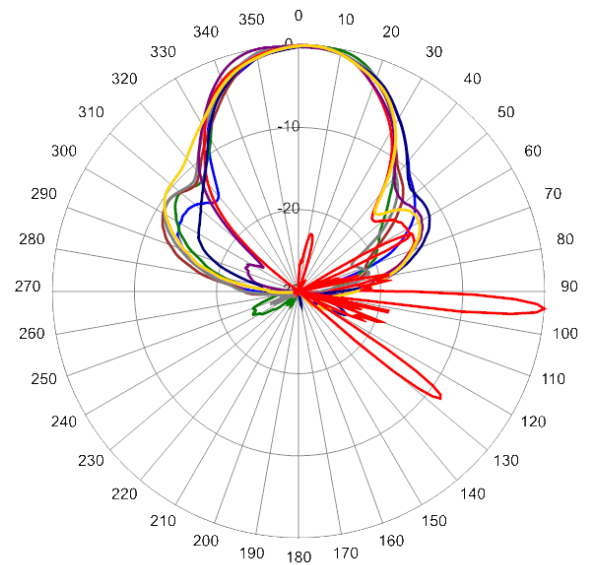
1755 MHz Azimuth with Elevation 4° (Ports 7 to 14)



1880 MHz Azimuth with Elevation 4° (Ports 7 to 14)



2155 MHz Azimuth with Elevation 4° (Ports 7 to 14)



2360 MHz Azimuth with Elevation 4° (Ports 7 to 14)



ORDERING

Multi-Band Fourteen-Port Antenna

FPA45R-BU8B

Parts & Accessories

FPA45R-BU8BB-K	Eight foot (2.3 m) antenna with 45° azimuth beamwidth, 4.3-10 female connectors, 4 factory RET-T17iG3-M actuators and MBK-16 mounting bracket
MBK-01	Mounting bracket kit (top and bottom) with 0° to 10° mechanical tilt adjustment
MBK-16	Mounting Kit with fixed 0° mechanical tilt
AISGC-M-F-10FT	10 Ft (3 m) Male/Female RRU to Antenna AISG cable

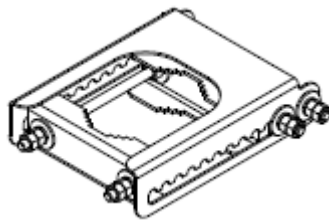


Mounting Bracket Kit

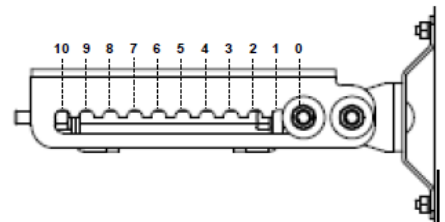
MBK-01

Mechanical

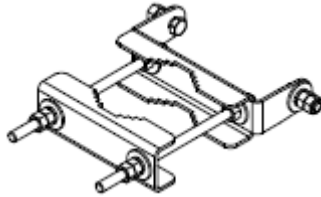
Weight	12.6 lbs (5.7 kg)
Hinge Pitch	47.25 in (1200 mm)
Mounting Pole Dimension	2 to 5 in (5 to 12 cm)
Fastener Size	M12
Installation Torque	40 ft·lb (54 N·m)
Mechanical Tilt Adjustment	0° - 10°



MBK-01 Top Adjustable Bracket



MBK-01 Top Adjustable Bracket Side View



MBK-01 Bottom Fixed Bracket

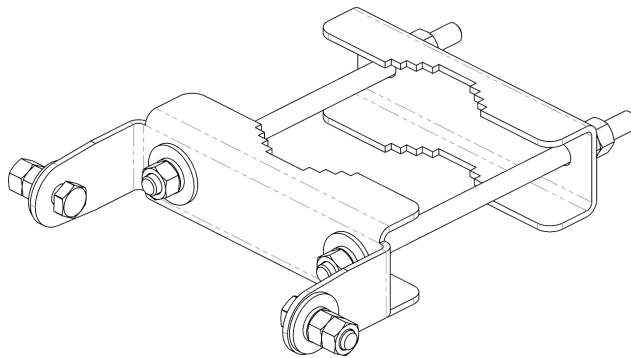
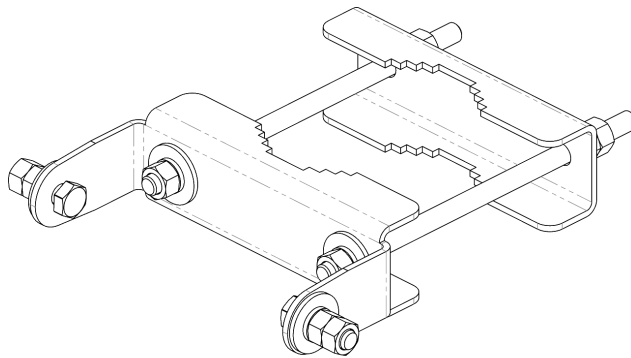


Mounting Bracket Kit

MBK-16

Mechanical

Weight	9.9 lbs (4.5 kg)
Hinge Pitch	47.25 in (1200 mm)
Mounting Pole Dimension	2 to 5 in (5 to 12 cm)
Fastener Size	M12
Installation Torque	40 ft·lbs (54 N·m)
Mechanical Tilt	0°



MBK-16 Top and Bottom Bracket



AISG Cable

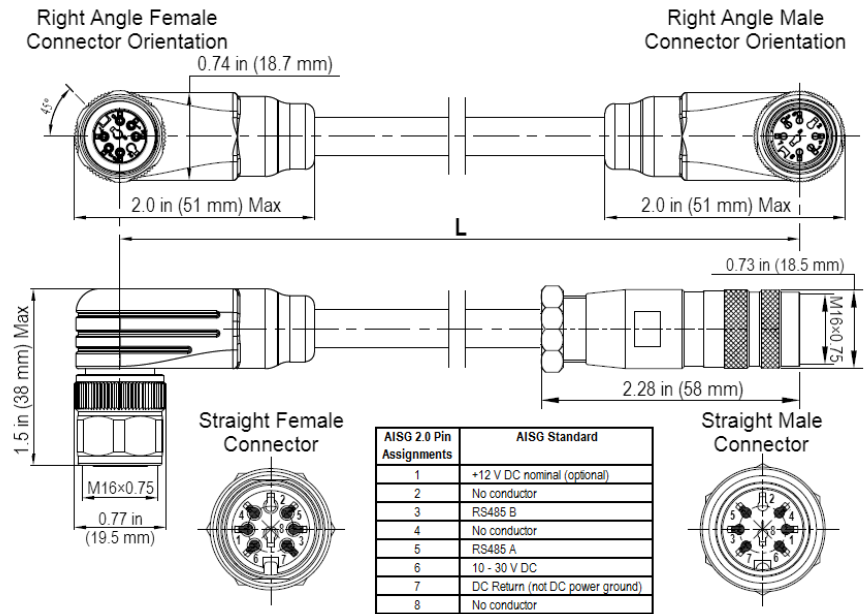
AISGC-M-F-xFT

Electrical Specifications

Individual Cable Part Number	AISGC-M-F-x(FT)
Cable style	UL2464
Protocol	AISG 1.1 and AISG 2.0
Maximum voltage	300 V
Rated current	5 A at 104° F (40° C)

Mechanical Specifications

Individual Cable Part Number	AISGC-M-F-x(FT)
Cables per kit	1
Connectors	2 x 8 pin IEC 60130-9 Straight male/straight female
Tightening torque	Hand tighten only \approx 1.84 ft-lbs (2.5 Nm)
Construction	Shielded (Tinned Copper Braid)
Braid coverage	85%
Jacket Material	Matte Polyurethane (Black)
Conductors	1 twisted pair - 24 AWG 3 conductors - 19 AWG AWM style 2464
Cable Diameter	0.307 in (7.8 mm)
Length	See order details
Minimum bend radius	3.15 in (80 mm)



AISG-Male to AISG-Female Jumper Cable



Environmental Specifications

Individual Cable Part Number	AISGC-M-F-xFT
Temperature Range	-40° to 80° C
Flammability	UL 1581 VW-1
Ingress Protection	IEC 60529:2001, IP67



STANDARDS & CERTIFICATIONS

Multi-Band Fourteen-Port Antenna

FPA45R-BU8B

Standards & Compliance

Safety	EN 60950-1, UL 60950-1
Emission	EN 55022
Immunity	EN 55024
Environmental	IEC 60068-2-1, IEC 60068-2-2, IEC 60068-2-5, IEC 60068-2-6, IEC-60068-2-11, IEC 60068-2-14, IEC 60068-2-18, IEC 60068-2-27, IEC 60068-2-29, IEC 60068-02-30, IEC 60068-2-52, IEC 60068-2-64, GR-63-CORE 4.3.1, EN 60529, IP 24

Certifications

Antenna Interface Standards Group (AISG), Federal Communication Commission (FCC) Part 15 Class B, CE, CSA US, ISO 9001

