



Filters & Combiners

DATA SHEET

Broadband Outdoor Diplexer

DPO-3137-E-T2



- Combines two frequency ranges 380-2180 MHz with 2300-2700 MHz onto a single common port.
- The low band port covers the 380-2180 MHz frequency range and the high band port covers 2300-2700 MHz frequency range.
- High power 200 W per port with low insertion loss in a small, lightweight enclosure
- AISG 2.0 pass-through on either port with Smart DC with Autosense
- Low intermodulation with isolation of >50 dB port to port
- High reliability of >500K Hours MTBF and multi-strike lightning protection
- Twin or Single outdoor (IP67) Diplexer with flexible pole or wall mounting options

Overview

The CCI Outdoor Broadband Diplexer passes 380-2180 MHz on its low band input port and 2300-2700 MHz on its high band input port. The Diplexer combines the low band and high band signals on to a common port and is specifically intended for use in multi-band systems with limited feeder lines. The Diplexer facilitates the addition of new technologies including LTE and new spectrum to existing sites while providing a high degree of isolation between systems. Decreasing the number of feeder lines lowers tower loading, leasing and installation expenditures and significantly reduces the total cost to upgrade a site.

The Diplexer provides full band coverage for each band with low insertion loss, low Intermodulation, and high 200 W per port power handling. Excellent return loss performance delivers the best match to the antennas and base station, saving precious transmit power. Optionally, CCI Diplexer can enable Remote Electrical Tilt (RET) and Tower Mount Amplifiers (TMA) control capability by providing DC/AISG 2.0 compliant pass-through on either input port using Smart DC with autosense.

Technical Description:

The CCI Outdoor Broadband Diplexer consists of multiple filters and can be used as either a splitter or combiner to aggregate the 380-2180 MHz band with the 2300-2700 MHz band on to a common feeder line. The fully weatherproof tower mount outdoor Diplexer can optionally provide DC and AISG signal pass-through on either of the band specific ports, enabling power and control for TMA's & RET antennas. The Diplexer is available with DC/AISG pass using Smart DC with autosense. The Smart Bias-T architecture passes the DC and AISG carrier frequency from any one of the input ports to the common port while blocking the DC and AISG signals from being re-injected into the other input ports. The Diplexer has internal multi-strike lightning protection using a multi-stage surge protection circuit. The unit has been designed to minimize insertion loss while maximizing isolation. Particular attention has been given to the intermodulation performance of the Diplexer to minimize any passive intermodulation products from occurring. The Diplexer housing is constructed from die cast aluminum and consists of an IP67 moisture proof enclosure, with IP67 moisture proof connectors suited to long-life masthead mounting. The Diplexer can be pole or wall mounted with the included bracket. The RF ports are configured with 4.3-10 connectors.

CCI filter and combiner products are designed and produced to ISO 9001 certification standards for reliability and quality at our state-of-the-art engineering and manufacturing facilities.



Filters & Combiners

SPECIFICATIONS

Broadband Outdoor Diplexer

DPO-3137-E-T2

Electrical Specification

RF Parameters	Ports	Frequency(MHz)	Specification
Return Loss	COMMON	380 - 2180	18 dB minimum, 20 dB typical
		2300 - 2700	18 dB minimum, 20 dB typical
	Lowband Port	380 - 2180	18 dB minimum, 20 dB typical
	Highband Port	2300 - 2700	18 dB minimum, 20 dB typical
Insertion Loss	COMMON to Lowband Port	380 - 2180	0.2 dB typical, 0.4 dB maximum
	COMMON to Highband Port	2300 - 2700	0.2 dB typical, 0.4 dB maximum
Isolation	Highband Port to Lowband Port	2300 - 2700	60 dB minimum
	Lowband Port to Highband Port	380 - 2180	60 dB minimum
Group Delay	COMMON to Lowband Port	380 - 2180	5 ns maximum
	COMMON to Highband Port	2300 - 2700	17 ns maximum
Group Delay Variation	COMMON to Lowband Port	380 - 2180	2.5 ns maximum
	COMMON to Highband Port	2300 - 2700	7 ns maximum

DC/AISG	
DC Autosense	DC path is automatically determined, when the unit is used as a combiner or splitter
Combine mode priority	<ol style="list-style-type: none"> 1. 1710 - 1880 MHz 2. 2300 - 2700 MHz 3. 1920 - 2170 MHz 4. 690 - 960 MHz
DC Autosense Combine Mode Operation	The port with DC voltage (7 - 30 V) is automatically passed to the COMMON Port. If more than one port has DC voltage present, the port with the highest priority is passed. If a short circuit is detected on the COMMON Port DC/AISG is disabled for the entire unit.
DC Autosense Splitter Mode Operation	DC/AISG pass through will be disabled for ports where a short circuit is detected and DC/AISG will be passed to all other ports.
DC Bypass Power-Up to Operating Time	<100 ms
Current Consumption @ TBD voltage	35 mA typical, 50 mA maximum (7.0 to 30 VDC)
Current (Single Path)	2.5 A maximum
Current Common	2.5 A maximum
AISG signal	2.176 MHz, per AISG 2.0

General Characteristics	
Impedance	50 ohms
Continuous Average Power	200 W (+53 dBm) maximum all ports
Peak Envelope Power	2 kW (+63 dBm) maximum all ports
Intermodulation	<-117 dBm (-160 dBc) minimum, all bands at 2x +43 dBm tones



Filters & Combiners

SPECIFICATIONS

Broadband Outdoor Diplexer

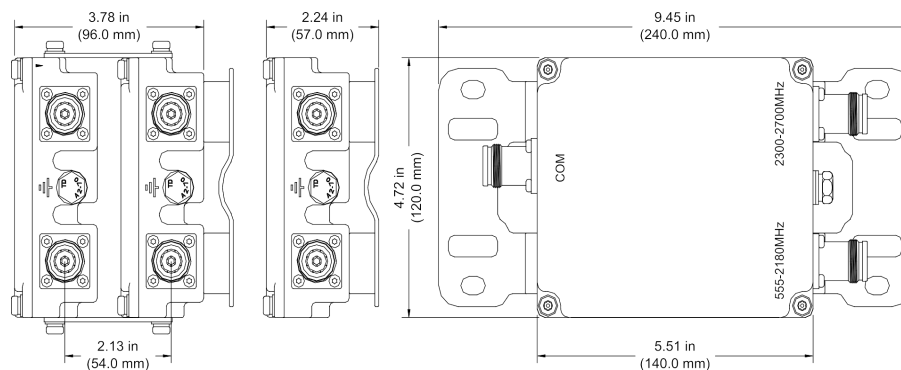
DPO-3137-E-T2

Environmental

Operating Temperature	-20 °C to +65 °C
Ingress Protection	IP67
Relative Humidity	5 - 95%
MTBF/Design Life	>500,000 hours/10 years?
Lightning Protection	8/20us, ±10KA max, 10 strikes per IEC61000-4-5

Mechanical

Model	Single (2 In, 1 Out)	Twin (4 In, 2 Out)
Modularity	Single	Twin
Ports, In-Line	2 x BTS, 1 x ANT	4 x BTS, 2 x ANT
Connectors	3 x 4.3-10 female	6 x 4.3-10 female
Dimensions w/Bracket (HxWxD)	9.45 x 4.73 x 2.24 in. (240 x 120 x 57 mm)	9.45 x 4.73 x 4.37 in. (240 x 120 x 111 mm)
Housing Dimensions (HxWxD)	5.51 x 4.73 x 1.65 in. (140 x 120 x 42 mm)	5.51 x 4.73 x 3.78 in. (140 x 120 x 96 mm)
Weight	2.65 lbs (1.2 Kg)	5.5 lbs. (2.5 kg)
Housing Ground Lug	1 x M8	1 x M8
Finish	Housing - Powder Coat Gray; Bracket(s) - 304 Stainless Steel (Passivated per ASTM A-967)	
Packaging Size	TBD	15.35 x 12.8 x 15.75 in. (390 x 325 x 400 mm) for 4 pcs.
Packaging Weight	TBD	26.8 Lbs.(12.2 kg) for 4 pcs.
Available Mast Diameter	3 to 6 inches (76.2 to 152.4 mm)	
Pole Mounting	Use integral mouting bracket and the 2 band clamps provided (Orientation, the connectors will be in-line with mast)	
Wall Mounting	Use integral mouting bracket and appropriate fasteners (Orientation, no restrictions)	



Outdoor Diplexer Outline Drawing



Filters & Combiners

STANDARDS & CERTIFICATIONS

Broadband Outdoor Diplexer

DPO-3137-E-T2

Parts & Accessories

- DPO-3137-E-S2** Single Outdoor Broadband Diplexer with 4.3-10 connectors and Smart DC for DC/AISG pass-through in either direction on any port
- DPO-3137-E-T2** Twin Outdoor Broadband Diplexer with 4.3-10 connectors and Smart DC for DC/AISG pass-through in either direction on any port

Standards & Compliance

Safety	EN 60950-1, UL 60950-1
Emission	EN 55022
Immunity	EN 55024
Environmental	IEC 60068-2-1, IEC 60068-2-2, IEC 60068-2-5, IEC 60068-2-6, IEC-60068-2-11, IEC 60068-2-14, IEC 60068-2-18, IEC 60068-2-27, IEC 60068-2-29, IEC 60068-02-30, IEC 60068-2-52, IEC 60068-2-64, IEC61000-4-5, GR-63-CORE 4.3.1, EN 60529 IP67, IP68

Certifications

Federal Communication Commission (FCC) Part 15 Class B, CE, CSA US, ISO 9001

