



# Antennas

DATA SHEET

## Dual Band Bi-Sector™ Array

BSA33R-BU6B



- Six foot (1.8 m), multiband, Sixteen port Dual Band Bi-Sector™ Antenna. Deploying two independent high performing pairs of CCI's Patented Asymmetrical 33° Shaped Beams covering 698-896 MHz and 1695-2400 MHz frequencies
- Eight wide high band ports covering 1695-2400 MHz and eight wide low band ports covering 698-896 MHz in a single antenna
- Full Spectrum Compliance for 698-896 MHz /1695-2400 MHz
- Implementing a new Patented Array Architecture, where gain has been significantly improved, while maintaining superior Co-Pol ISO between beams and superior EI SLL performance
- Provides two independent pairs of LTE Optimized Asymmetric Shaped Beams for improved LTE data throughput by minimizing beam crossover, providing for an efficient use of valuable radio capacity and frequency spectrum
- LTE Optimized FBR, SPR and Boresight/Sector XPD Performance, essential for today's LTE Data Networks
- Exceeds minimum PIM performance requirements
- Equipped with new 4.3-10 connector, which is 40% smaller than traditional 7/16 DIN connector
- Equipped with Four Field Replaceable, integrated AISG 2.0 compliant Remote Electrical Tilt (RET)

### Overview

This version of the CCI Dual Band Bi-Sector™ Multiband Array is a Sixteen port antenna, with eight wide high band ports covering 1695-2400 MHz and eight wide low band ports covering 698-896 MHz. The CCI Dual Band Bi-Sector™ array uses two independent pairs of CCI's Patented Asymmetric 33° Shaped Beams in the High Band frequencies and low band frequencies. The CCI Dual Band Bi-Sector™ Array provides the capability to deploy MIMO (over split beams) in the high band and 4x4 MIMO (over split beams) in the low band. The CCI Dual Band Bi-Sector™ Array utilizes four RET controllers, with a separate RET control in the Low Band and High Band for each LEFT and RIGHT pair of CCI's Patented Asymmetric 33° Shaped Beams.

The CCI Dual Band Bi-Sector™ Multiband Array, allow operators to reduce antenna count and replace existing 65° networks, while increasing cell site capacity and LTE data throughput by minimizing overlap between CCI's Patented Asymmetric 33° Shaped Beams. This design approach lowers interference between sectors. All of this is achieved through a single panel array, producing significant CAPEX and OPEX cost savings for the operator.

CCI antennas are designed and produced to ISO 9001 certification standards for reliability and quality in our state-of-the-art manufacturing facilities.

### Applications

- Two Independent pairs of Dual (over split beams) 4x4 MIMO on High Band and Low Band
- Ready for Network Standardization on 4.3-10 connectors
- Ideal Antenna Solution for structurally constrained sites, where data throughput, capacity and limited spectrum is a concern
- With CCI's Dual Band Bi-Sector™ Antenna, wireless operators can connect multiple platforms to a single antenna, reducing tower load, lease expense, deployment time and installation cost



# Antennas

## SPECIFICATIONS

### Dual Band Bi-Sector™ Array

BSA33R-BU6B

#### Electrical

Ports	8 × Low Band Ports for 698-896 MHz		
	698-806 MHz	790-862 MHz	824-896 MHz
Frequency Range	698-806 MHz	790-862 MHz	824-896 MHz
Gain <sup>1</sup>	15.0 dBi	15.2 dBi	15.6 dBi
Gain (Average) <sup>2</sup>	14.0 dBi	14.7 dBi	15.1 dBi
Azimuth Beamwidth (-3dB)	36°	34°	33°
Elevation Beamwidth (-3dB)	26.1°	23.8°	22.7°
Electrical Downtilt	2° to 16°	2° to 16°	2° to 16°
Elevation Sidelobes (1st Upper)	<-22 dB	<-22 dB	<-22 dB
Front-to-Back Ratio @180°	> 35 dB	> 35 dB	> 35 dB
Cross-Polar Discrimination at Peak	> 18 dB	> 22 dB	> 23 dB
Cross-Polar Discrimination at 3 dB (Avg)	> 9 dB	> 11 dB	> 11 dB
Cross-Polar Port-to-Port Isolation	> 25 dB	> 25 dB	> 25 dB
Co-Pol Isolation (Worse Case)	> 16* dB	> 17 dB	> 17 dB
Voltage Standing Wave Ratio (VSWR)	< 1.5:1	< 1.5:1	< 1.5:1
Passive Intermodulation (2x20W)	≤ -153 dBc	≤ -153 dBc	≤ -153 dBc
Input Power Continuous Wave (CW)	500 watts	500 watts	500 watts
Polarization	Dual Linear 45°	Dual Linear 45°	Dual Linear 45°
Input Impedance	50 ohms	50 ohms	50 ohms
Lightning Protection	DC Ground	DC Ground	DC Ground

<sup>1</sup>Peak gain across sub-bands.

<sup>2</sup>Electrical specifications follow document "Recommendation on Base Station Antenna Standards" (BASTA) V11.1.

\* > 710 MHz

All specifications are subject to change without notice.



# Antennas

## SPECIFICATIONS

### Dual Band Bi-Sector™ Array

BSA33R-BU6B

#### Electrical

Ports	8 × High Band Ports for 1695-2400 MHz			
	1695-1880 MHz	1850-1990 MHz	1920-2180 MHz	2300-2400 MHz
Frequency Range	1695-1880 MHz	1850-1990 MHz	1920-2180 MHz	2300-2400 MHz
Gain <sup>1</sup>	17.8 dBi	18.2 dBi	18.6 dBi	19.4 dBi
Gain (Average) <sup>2</sup>	16.9 dBi	17.5 dBi	17.7 dBi	18.7 dBi
Azimuth Beamwidth (-3dB)	36°	33°	32°	28°
Elevation Beamwidth (-3dB)	7.9°	7.0°	6.6°	5.8°
Electrical Downtilt	2° to 12°	2° to 12°	2° to 12°	2° to 12°
Elevation Sidelobes (1st Upper)	< -16 dB	< -16 dB	< -16 dB	< -17 dB
Front-to-Back Ratio @180°	> 35 dB	> 35 dB	> 35 dB	> 35 dB
Cross-Polar Discrimination at Peak	> 25 dB	> 22 dB	> 24 dB	> 24 dB
Cross-Polar Discrimination at 3 dB (Avg)	> 15 dB	> 12 dB	> 12 dB	> 12 dB
Cross-Polar Port-to-Port Isolation	> 25 dB	> 25 dB	> 25 dB	> 25 dB
Co-Pol Isolation (Worse Case)	> 17 dB	> 17* dB	> 17* dB	> 20 dB
Voltage Standing Wave Ratio (VSWR)	< 1.5:1	< 1.5:1	< 1.5:1	< 1.5:1
Passive Intermodulation (2x20W)	≤ -153 dBc	≤ -153 dBc	≤ -153 dBc	≤ -153 dBc
Input Power Continuous Wave (CW)	300 watts	300 watts	300 watts	300 watts
Polarization	Dual Linear 45°	Dual Linear 45°	Dual Linear 45°	Dual Linear 45°
Input Impedance	50 ohms	50 ohms	50 ohms	50 ohms
Lightning Protection	DC Ground	DC Ground	DC Ground	DC Ground

<sup>1</sup>Peak gain across sub-bands.

<sup>2</sup>Electrical specifications follow document "Recommendation on Base Station Antenna Standards" (BASTA) V11.1.

\* in transmitter band

All specifications are subject to change without notice.

#### Mechanical

Dimensions (LxWxD)	71.0x28.5x9.7 in (1805x723x245 mm)
Survival Wind Speed	> 150 mph (> 241 kph)
Front Wind Load	431 lbs (1919 N) @ 100 mph (161 kph)
Side Wind Load	172 lbs (766 N) @ 100 mph (161 kph)
Equivalent Flat Plate Area	16.9 ft <sup>2</sup> (1.6 m <sup>2</sup> )
Weight *	125.2 lbs (56.8 kg)
Connector	16 × 4.3-10 female
Mounting Pole	3 to 5 in (7.5 to 12.7 cm)

\* Weight excludes mounting



# Antennas

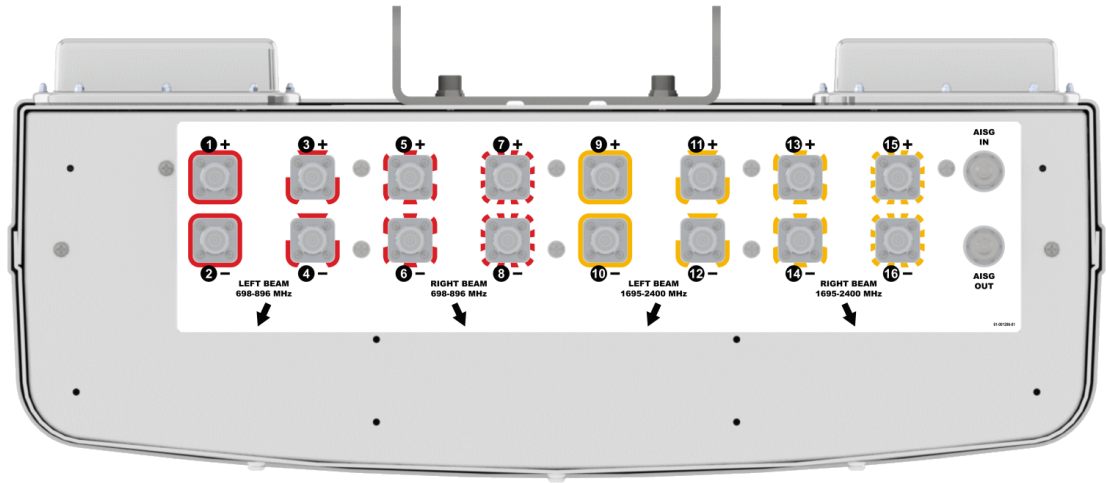
## SPECIFICATIONS

### Dual Band Bi-Sector™ Array

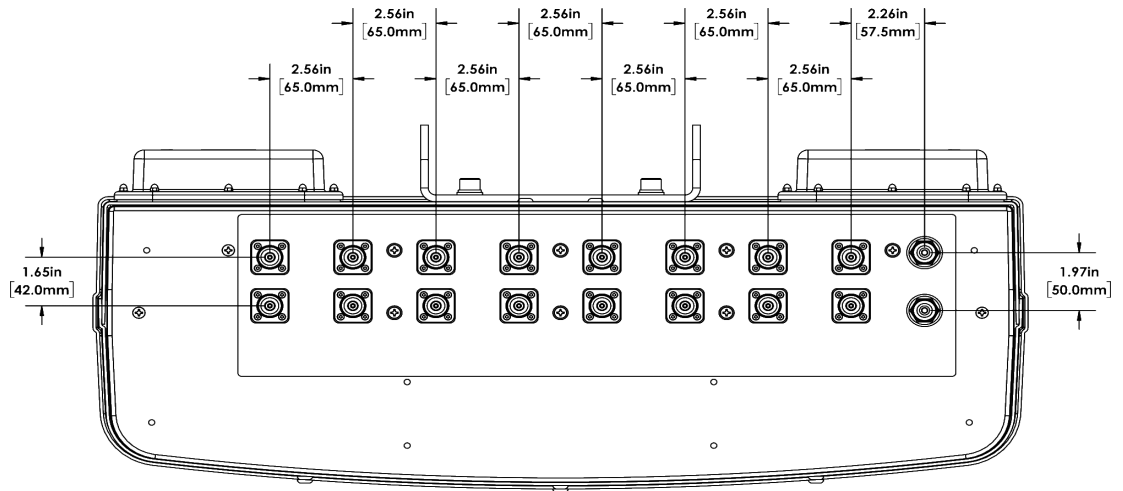
BSA33R-BU6B

#### Mechanical

Bottom View



Connector Spacing





# Antennas

## Dual Band Bi-Sector™ Array

BSA33R-BU6B

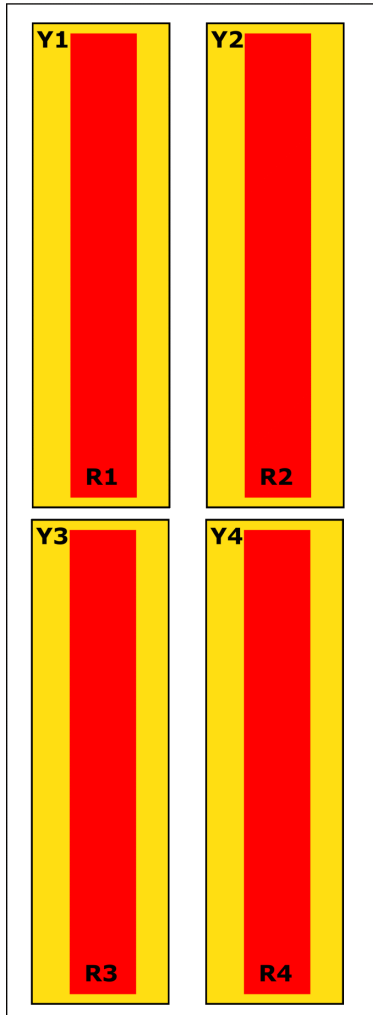
### SPECIFICATIONS

#### Mechanical

RET to Element Configuration

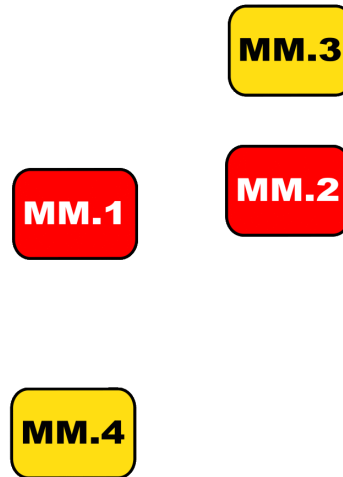
BSA33R-BU6BB Element and RET configuration (Type 17 Internal RET)

#### Top of antenna Viewed from rear



#### RET placement as view from rear of antenna

Top of antenna



Array	Ports	Freq (MHz)	Ports controlled by common RET	AISG RET UID	
R1	1, 2	698-896	1, 2, 3, 4 (Left Beams)	ClxxxxxxxMM.1	
R3	3, 4	698-896			
R2	5, 6	698-896		5, 6, 7, 8 (Right Beams)	ClxxxxxxxMM.2
R4	7, 8	698-896			
Y1	9, 10	1695-2400	9, 10, 11, 12 (Left Beams)	ClxxxxxxxMM.3	
Y2	11, 12	1695-2400			
Y3	13, 14	1695-2400		13, 14, 15, 16 (Right Beams)	ClxxxxxxxMM.4
Y4	15, 16	1695-2400			



# Antennas

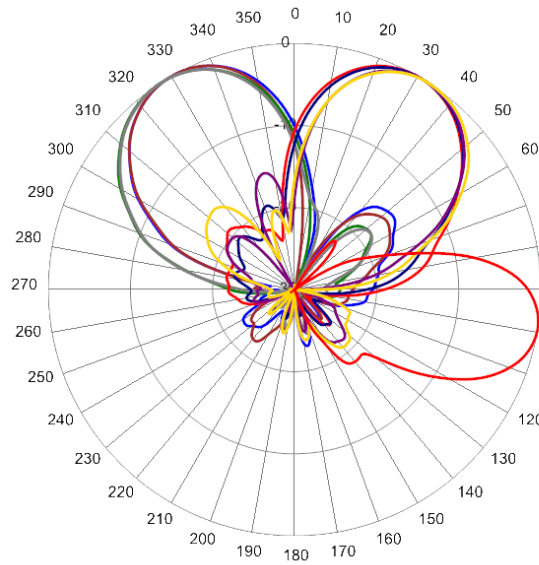
## SPECIFICATIONS

### Dual Band Bi-Sector™ Array

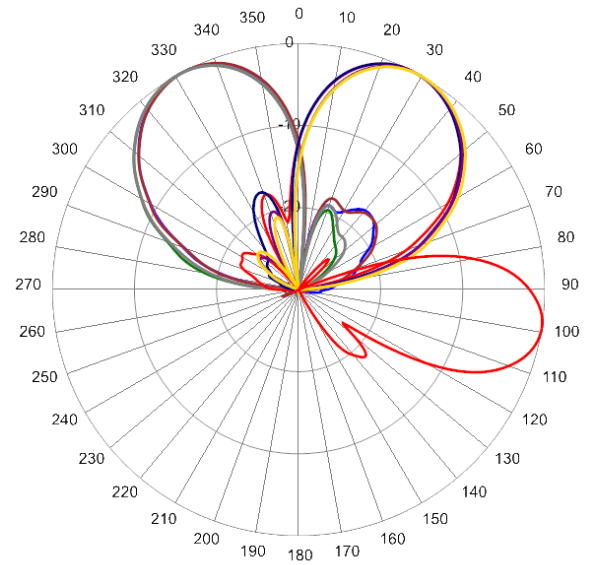
BSA33R-BU6B

#### Typical Antenna Patterns

For detailed information on additional antenna patterns, contact customer support at [support@cciproducts.com](mailto:support@cciproducts.com)



758 MHz Azimuth with Elevation 9°



850 MHz Azimuth with Elevation 9°



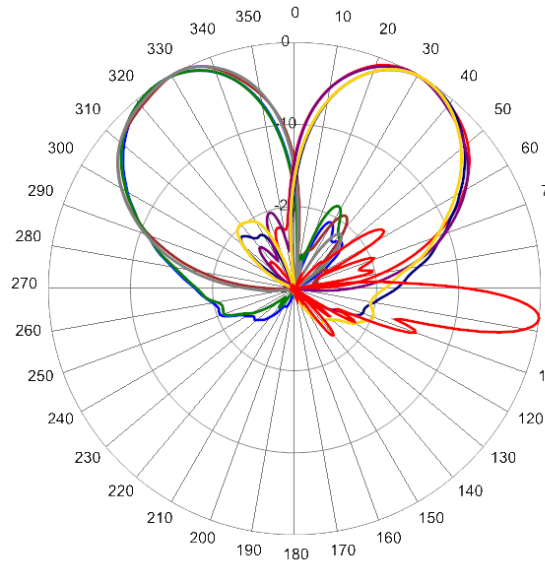
# Antennas

SPECIFICATIONS

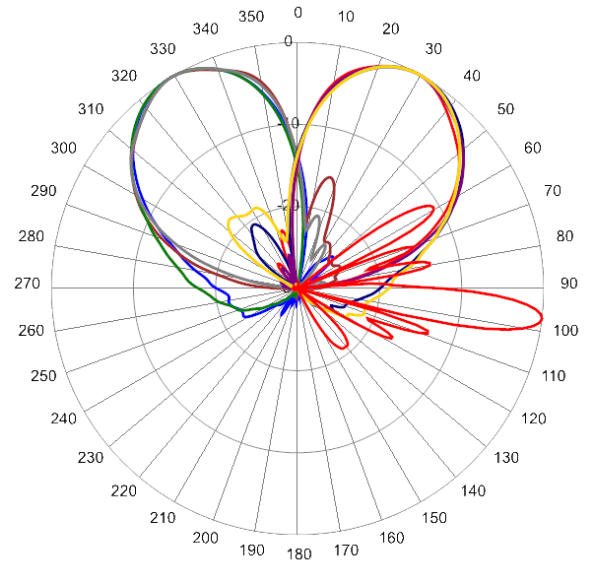
Dual Band Bi-Sector™ Array

BSA33R-BU6B

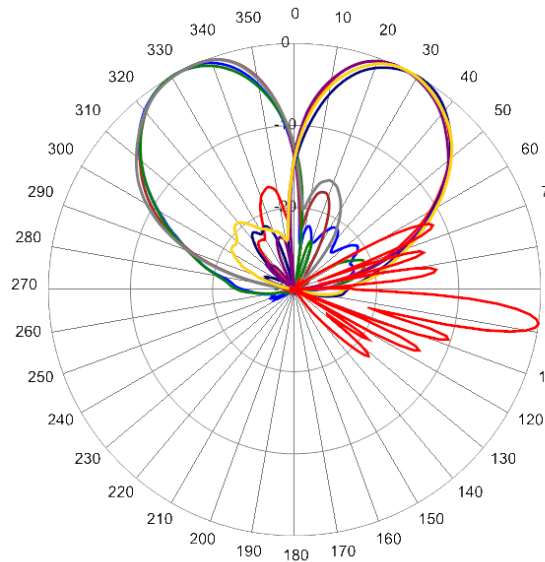
Typical Antenna Patterns



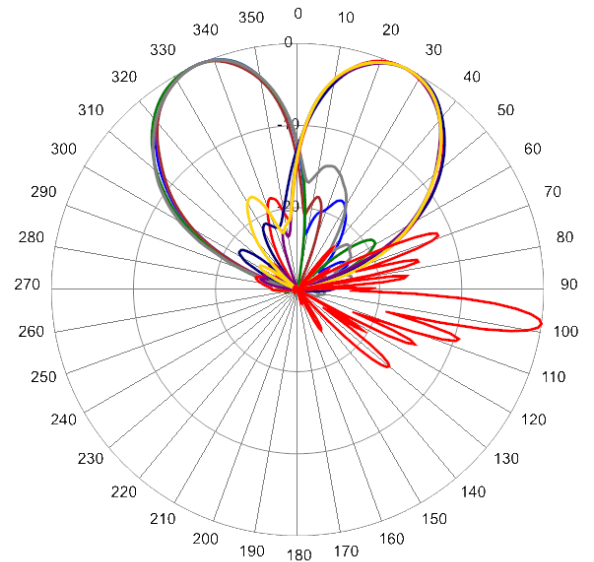
1780 MHz Azimuth with Elevation 7°



1920 MHz Azimuth with Elevation 7°



2180 MHz Azimuth with Elevation 7°



2360 MHz Azimuth with Elevation 7°



# Antennas

ORDERING

Dual Band Bi-Sector™ Array

BSA33R-BU6B

Parts & Accessories

<b>BSA33R-BU6BB-K</b>	Six foot (1.8 m) Bi-Sector™ Antenna Array with 4.3-10 female connectors, 4 factory installed BSA-RET400 RET actuators (Type 17 internal) and MBK-01 mounting brackets
<b>MBK-01</b>	Mounting bracket kit (top and bottom) with 0° to 10° mechanical tilt
<b>MBK-16</b>	Mounting bracket kit (top and bottom) with fixed 0° mechanical tilt
<b>BSA-RET400</b>	Type 17 Internal Remote Electrical Tilt System (RET)
<b>AISGC-M-F-10FT</b>	10 Ft (3 m) Male/Female RRU to Antenna AISG cable





# Antennas

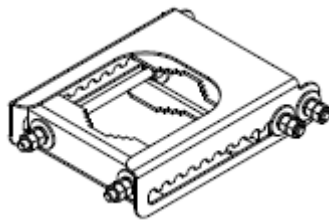
ACCESSORIES

## Mounting Bracket Kit

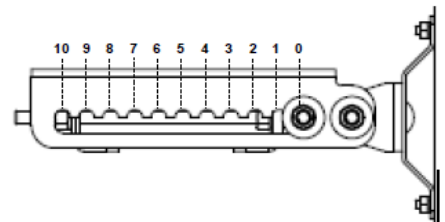
MBK-01

Mechanical

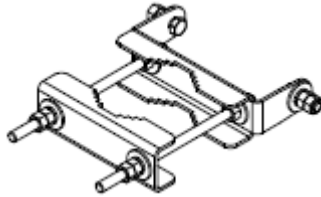
<b>Weight</b>	12.6 lbs (5.7 kg)
<b>Hinge Pitch</b>	47.25 in (1200 mm)
<b>Mounting Pole Dimension</b>	2 to 5 in (5 to 12 cm)
<b>Fastener Size</b>	M12
<b>Installation Torque</b>	40 ft·lb (54 N·m)
<b>Mechanical Tilt Adjustment</b>	0° - 10°



MBK-01 Top Adjustable Bracket



MBK-01 Top Adjustable Bracket Side View



MBK-01 Bottom Fixed Bracket



# Antennas

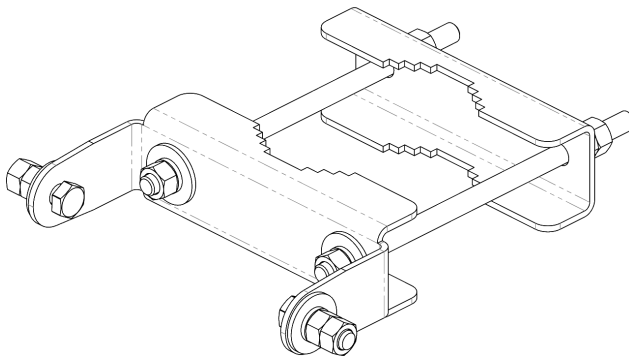
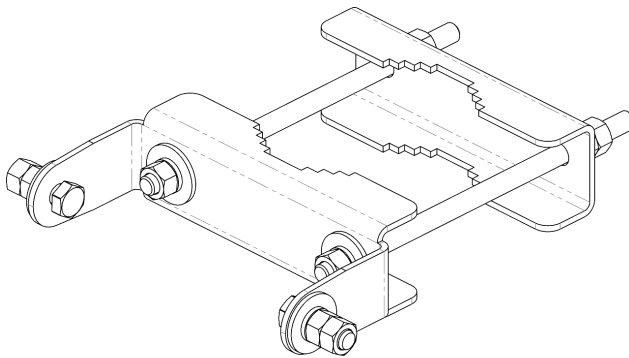
ACCESSORIES

## Mounting Bracket Kit

MBK-16

Mechanical

<b>Weight</b>	9.9 lbs (4.5 kg)
<b>Hinge Pitch</b>	47.25 in (1200 mm)
<b>Mounting Pole Dimension</b>	2 to 5 in (5 to 12 cm)
<b>Fastener Size</b>	M12
<b>Installation Torque</b>	40 ft·lbs (54 N·m)
<b>Mechanical Tilt</b>	0°



MBK-16 Top and Bottom Bracket



# Antennas

ACCESSORIES

## Internal Remote Electrical Tilt (iRET)

BSA-RET400

### General Specifications

Part Number	BSA-RET400
Protocols	AISG 2.0
RET Type	Type 17
Adjustment Cycles	>10,000 cycles
Tilt Accuracy	±0.1°
Temperature Range	-40° C to 70° C

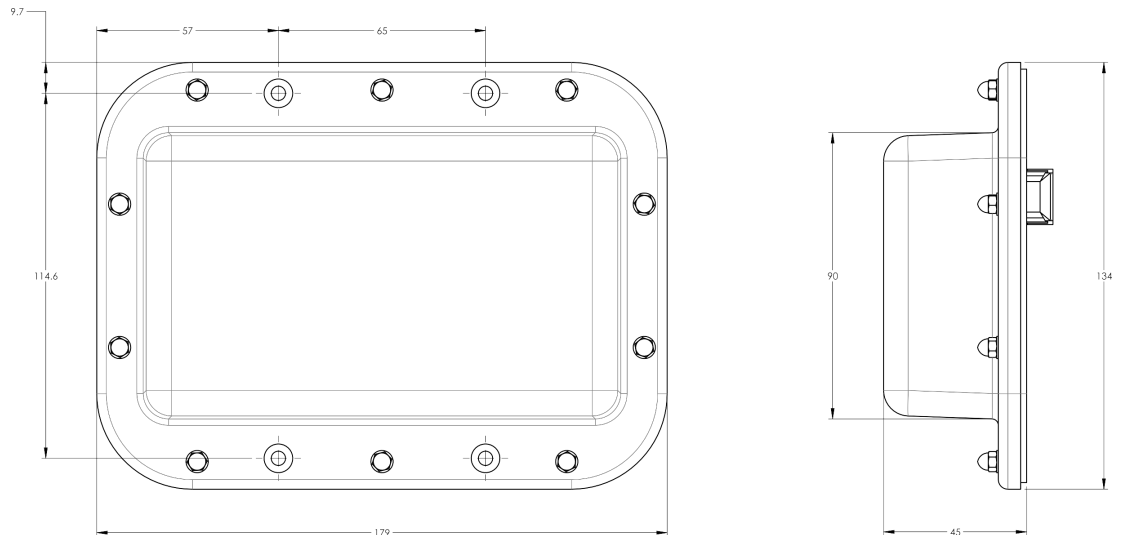
### Electrical

Data Interface Signal	DC
Input Voltage	10-30 Vdc
Current Consumption Tilt	100 mA at $V_{in}=24$ (500 mA MAX)
Current Consumption Idle	10 mA at $V_{in}=24$

### Mechanical

Dimensions (LxWxD)	7.0x5.3x1.8 in. (179x134x45 mm)
Housing	ASA/ABS/Aluminum
Weight	1.3 lbs (0.6 kg)

ASA= Acrylic Styrene Acrylonitrile  
ABS=Acrylonitrile Butadiene Styrene





# Antennas

ACCESSORIES

AISG Cable

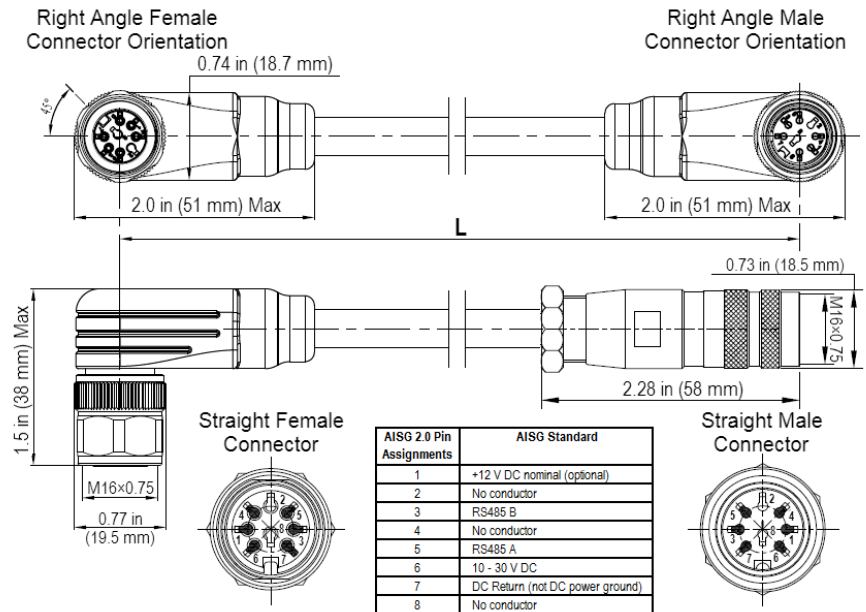
AISGC-M-F-xFT

## Electrical Specifications

Individual Cable Part Number	AISGC-M-F-x(FT)
Cable style	UL2464
Protocol	AISG 1.1 and AISG 2.0
Maximum voltage	300 V
Rated current	5 A at 104° F (40° C)

## Mechanical Specifications

Individual Cable Part Number	AISGC-M-F-x(FT)
Cables per kit	1
Connectors	2 x 8 pin IEC 60130-9 Straight male/straight female
Tightening torque	Hand tighten only $\approx$ 1.84 ft-lbs (2.5 Nm)
Construction	Shielded (Tinned Copper Braid)
Braid coverage	85%
Jacket Material	Matte Polyurethane (Black)
Conductors	1 twisted pair - 24 AWG 3 conductors - 19 AWG AWM style 2464
Cable Diameter	0.307 in (7.8 mm)
Length	See order details
Minimum bend radius	3.15 in (80 mm)



AISG-Male to AISG-Female Jumper Cable



# Antennas

ACCESSORIES

AISG Cable

AISGC-M-F-xFT

Environmental Specifications

<b>Individual Cable Part Number</b>	AISGC-M-F-xFT
<b>Temperature Range</b>	-40° to 80° C
<b>Flammability</b>	UL 1581 VW-1
<b>Ingress Protection</b>	IEC 60529:2001, IP67



# Antennas

## STANDARDS & CERTIFICATIONS

### Dual Band Bi-Sector™ Array

BSA33R-BU6B

#### Standards & Compliance

<b>Safety</b>	EN 60950-1, UL 60950-1
<b>Emission</b>	EN 55022
<b>Immunity</b>	EN 55024
<b>Environmental</b>	IEC 60068-2-1, IEC 60068-2-2, IEC 60068-2-5, IEC 60068-2-6, IEC-60068-2-11, IEC 60068-2-14, IEC 60068-2-18, IEC 60068-2-27, IEC 60068-2-29, IEC 60068-02-30, IEC 60068-2-52, IEC 60068-2-64, GR-63-CORE 4.3.1, EN 60529, IP 24

#### Certifications

Antenna Interface Standards Group (AISG), Federal Communication Commission (FCC) Part 15 Class B, CE, CSA US, ISO 9001



**CCI** Communication Components Inc.  
EXTENDING WIRELESS PERFORMANCE